

GEARS & SHAFTS

AS PER ISO & ANSI STANDARDS

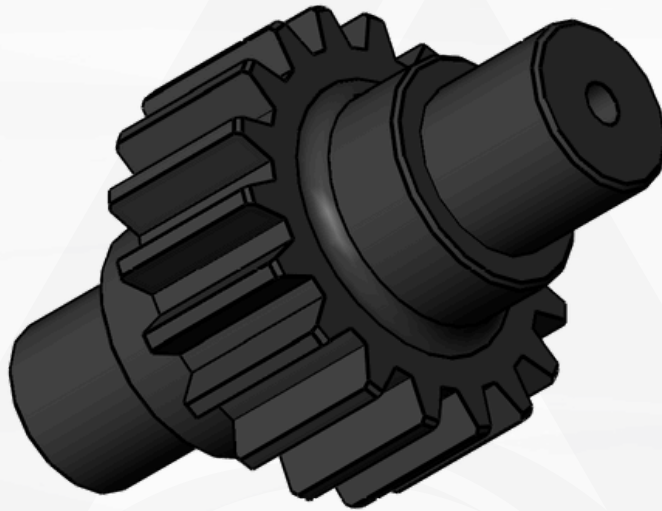
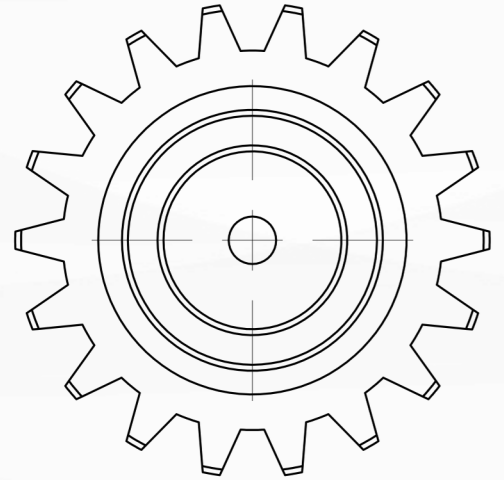
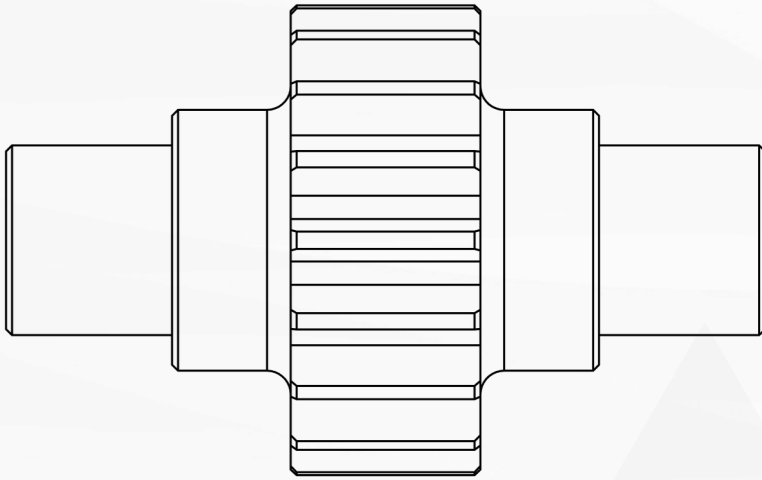


CONTACT US



CUSTOMISED GEAR SHAFT & GEARS

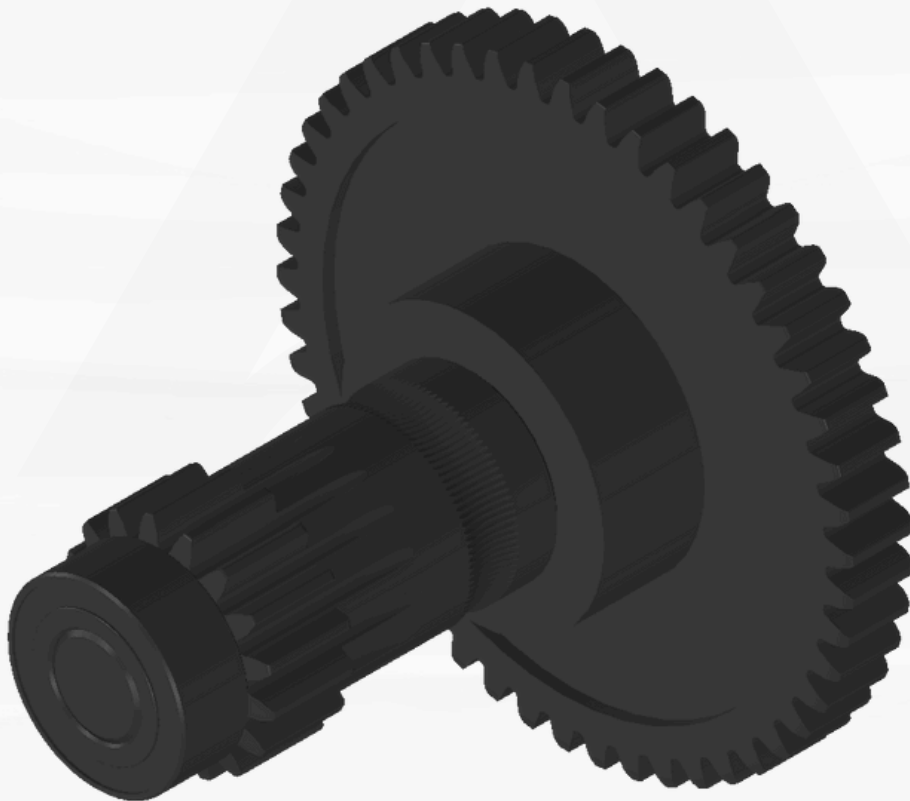
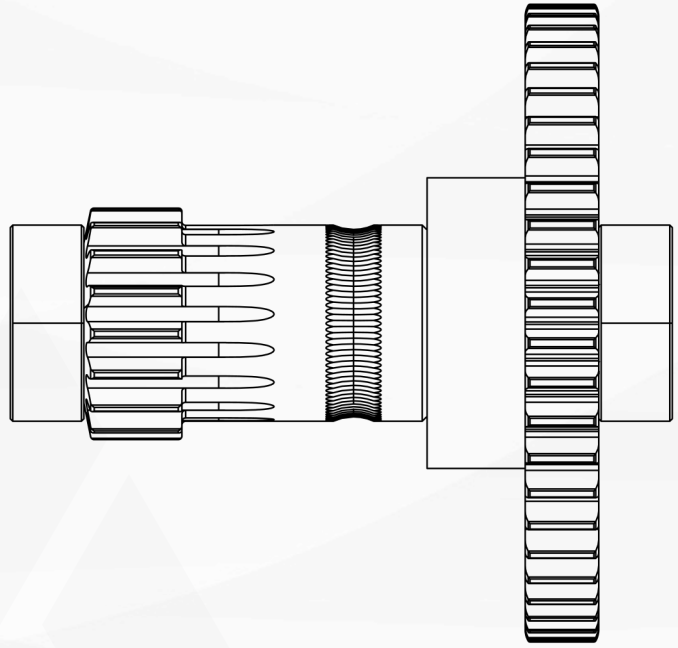
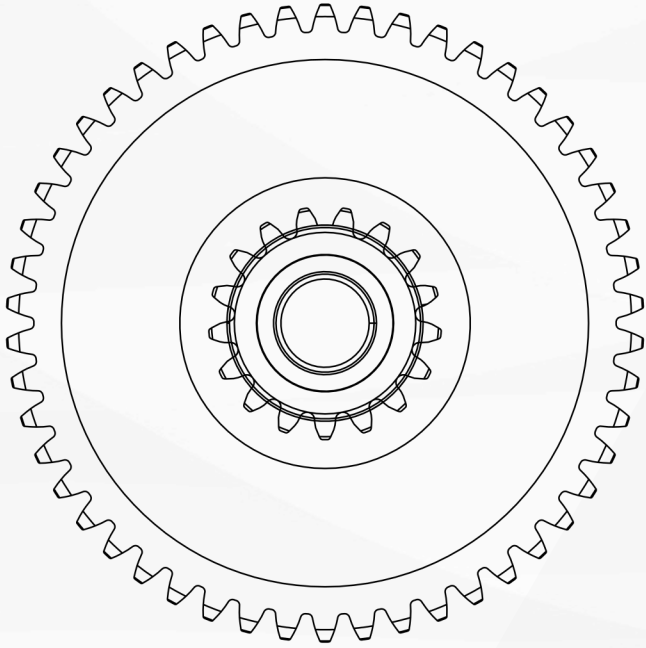
At **Agamus AI & Automation**, we are committed to providing top-quality gear solutions tailored to meet a wide range of industrial and mechanical needs. Whether you require standard gears or bespoke solutions, we have the expertise and resources to deliver products that exceed your expectations.



CONTACT US



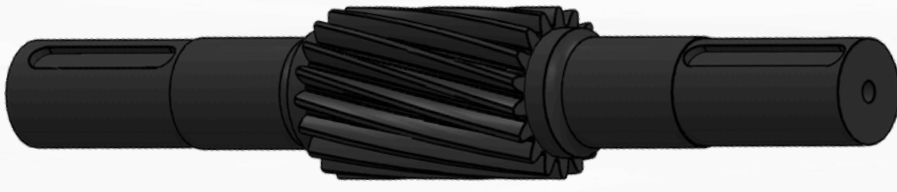
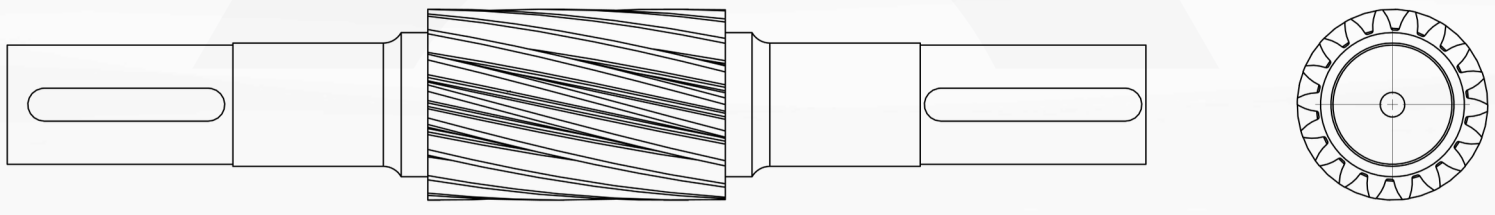
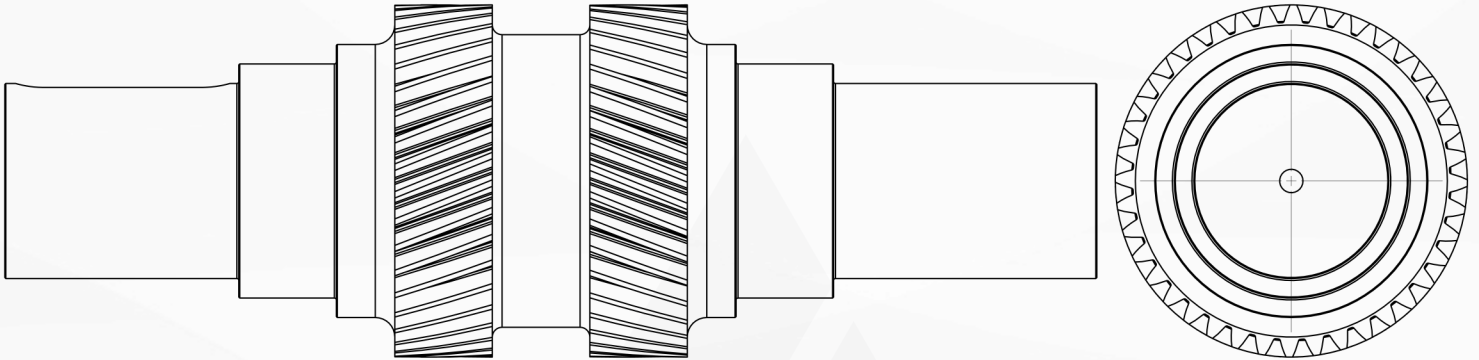
CUSTOMISED GEAR SHAFT & GEARS



CONTACT US



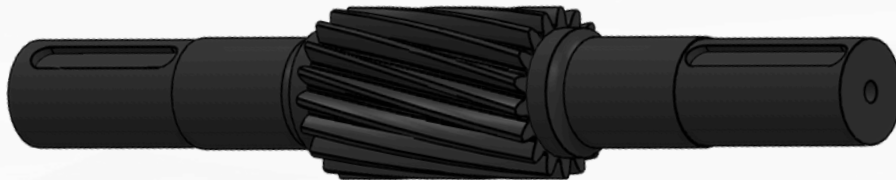
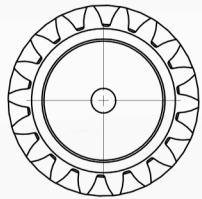
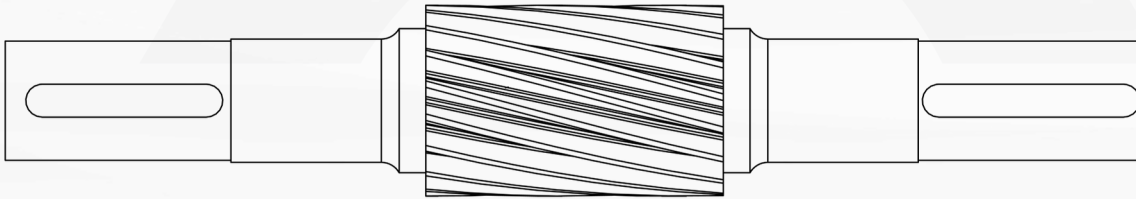
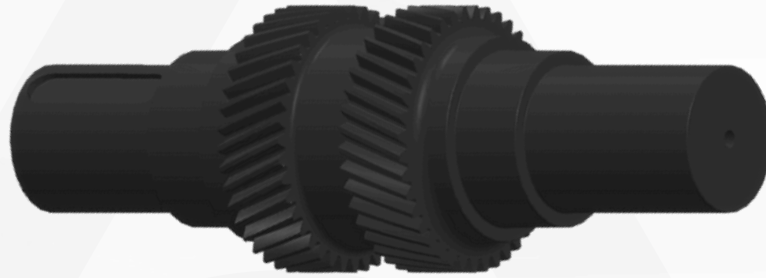
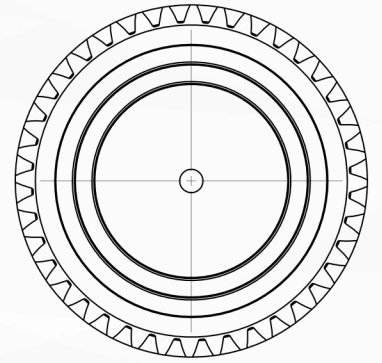
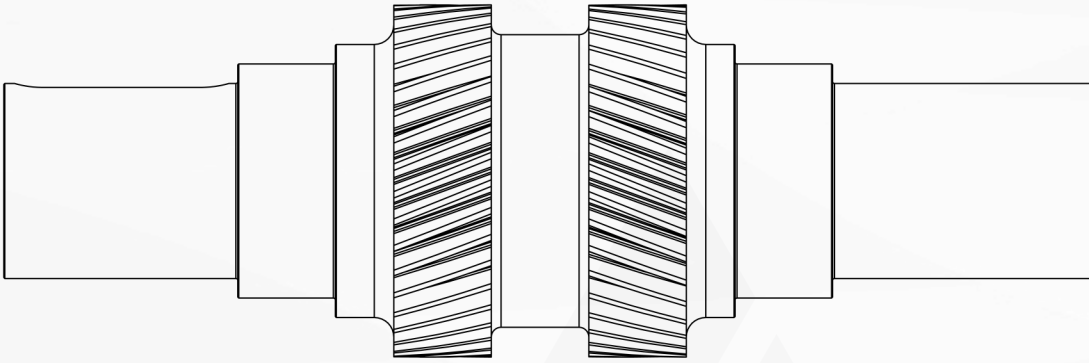
CUSTOMISED GEAR SHAFT & GEARS



CONTACT US



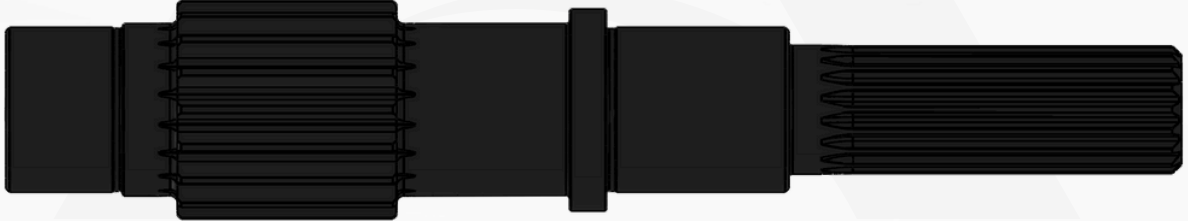
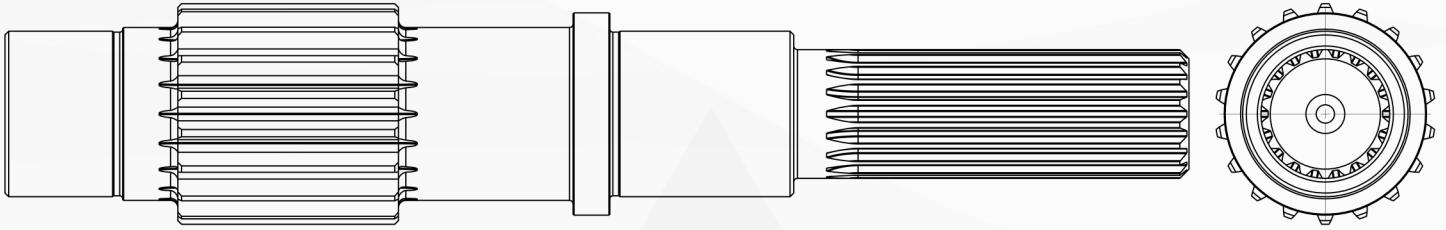
CUSTOMISED GEAR SHAFT & GEARS



CONTACT US



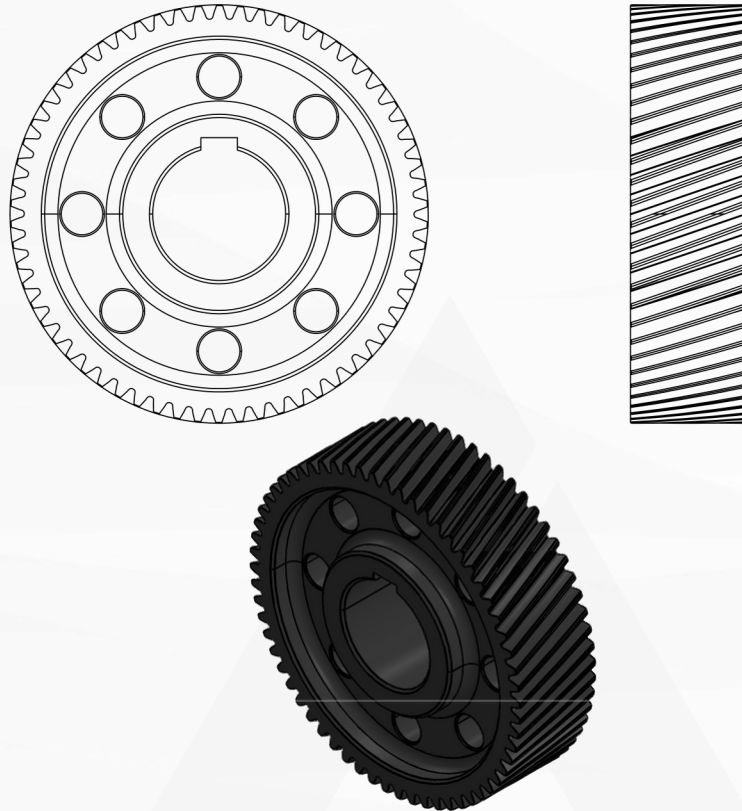
CUSTOMISED GEAR SHAFT & GEARS



CONTACT US



CUSTOMISED GEAR SHAFT & GEARS



For more information about our standard and customized gear solutions or to discuss your project, please reach out to our sales and support team. via email sales@agamus.ca . We look forward to providing you with the gear solutions that perfectly meet your needs.

**SCAN TO GET
YOUR QUOTE**



AGAMUS AI & AUTOMATION
404 - 1688,152 Street Surrey,
V4A 4NB, BC
Canada