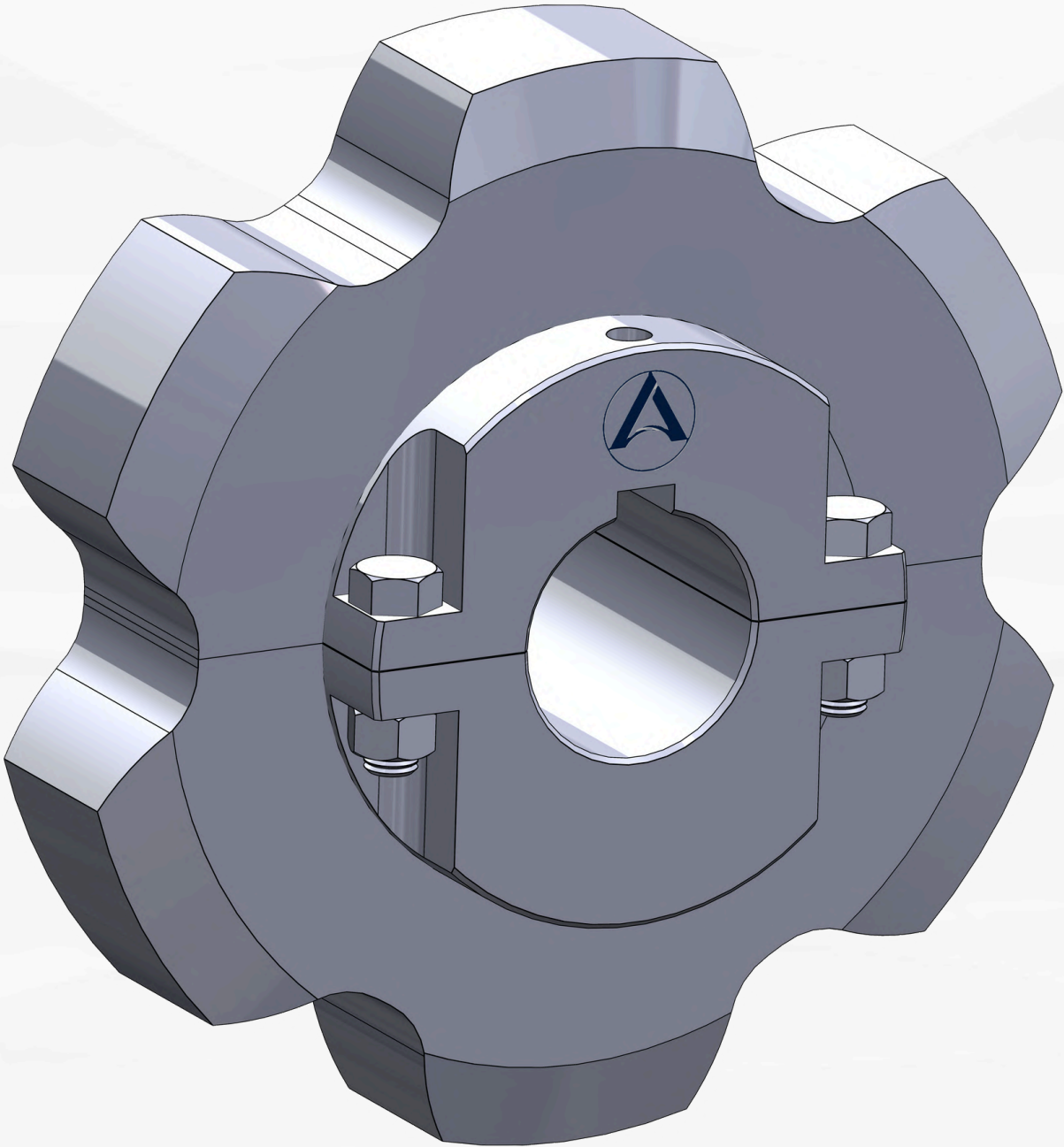


SPROCKETS

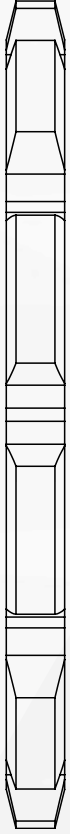
AS PER AMERICAN STANDARDS



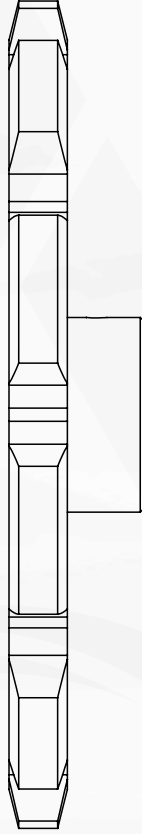
CONTACT US



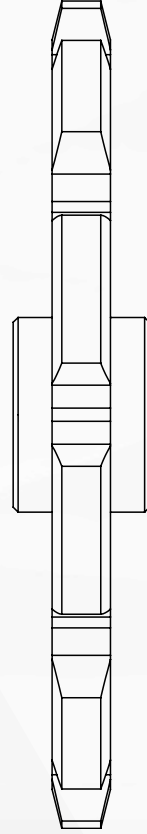
SPROCKET STYLES



STYLE A



STYLE B



STYLE C

We supply high-quality Style A, B, and C sprockets designed for precision, efficiency, and durability. Discover the perfect sprocket for your needs with Agamus AI & Automations.

Style A Sprockets: Durable and precise, perfect for standard and heavy-duty applications.

Style B Sprockets: Innovative design for high efficiency and customizable options.

Style C Sprockets: Heavy-duty strength for the toughest environments.

CONTACT US

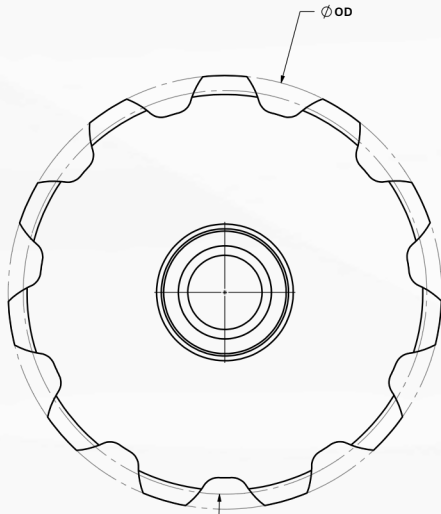


WELDED STEEL SPROCKETS

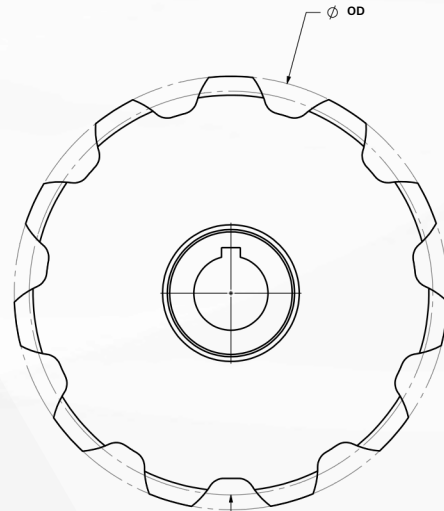
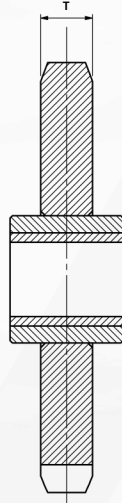
Discover our comprehensive range of welded steel chain sprockets, including:

- **Solid Sprockets**
- **Split Sprockets**
- **Split-Segmented Sprockets**
- **Bolt-On Sprockets**

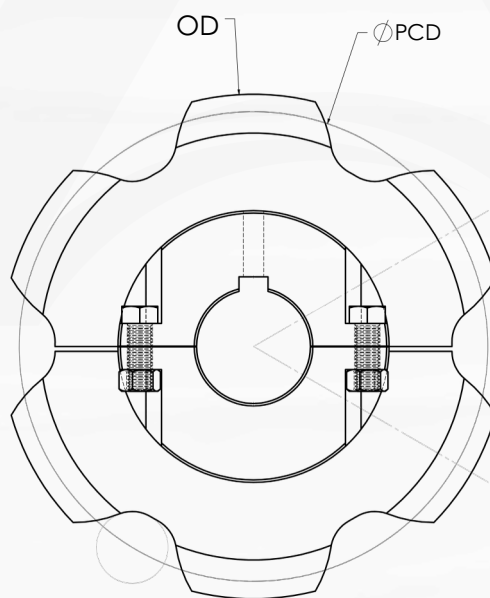
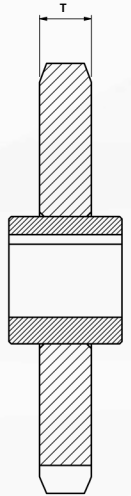
Custom designs are also available to meet your specific requirements.



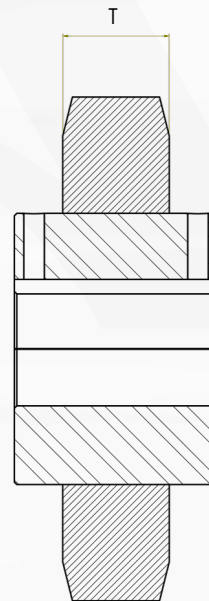
SOLD HUB SPROCKET IDLER
PCD



SOLD HUB SPROCKET
PCD

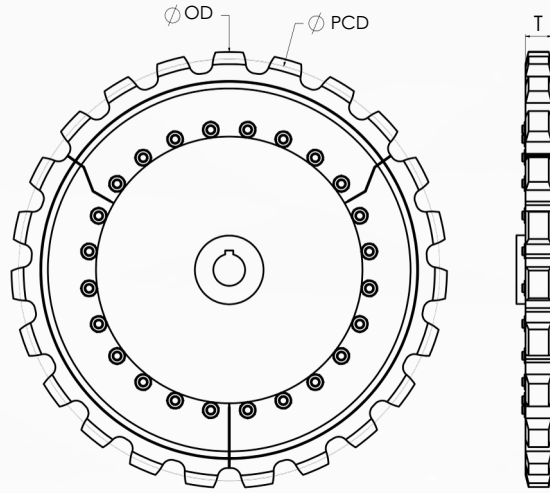


SPLIT HUB SPROCKET



CONTACT US





SPLIT HUB SEGMENTED PROCKET

NOMENCLATURE

- **P** = Pitch
- **RD** = Roller Diameter
- **H** = Height of Side Bar
- **N** = Number of Teeth
- **G** = Max Sprocket Thickness
- **T** = Desired Sprocket Thickness
- **PCD** = Pitch Circle Diameter
- **BD** = Base Circle Diameter
- **OD** = Outside Diameter

CHAIN NO	P	N	H	RD	G	PCD	OD	BD	T
WH78	2.609 "	8	1.250 "	0.880 "	1.000 "	6.818 "	7.549 "	5.878 "	0.875 "
	2.609 "	9	1.250 "	0.880 "	1.000 "	7.628 "	8.418 "	6.688 "	0.875 "
	2.609 "	10	1.250 "	0.880 "	1.000 "	8.443 "	9.280 "	7.503 "	0.875 "
	2.609 "	11	1.250 "	0.880 "	1.000 "	9.261 "	10.135 "	8.321 "	0.875 "
	2.609 "	12	1.250 "	0.880 "	1.000 "	10.080 "	10.987 "	9.140 "	0.875 "
	2.609 "	13	1.250 "	0.880 "	1.000 "	10.902 "	11.835 "	9.962 "	0.875 "
	2.609 "	14	1.250 "	0.880 "	1.000 "	11.725 "	12.681 "	10.785 "	0.875 "
	2.609 "	15	1.250 "	0.880 "	1.000 "	12.549 "	13.524 "	11.609 "	0.875 "
	2.609 "	16	1.250 "	0.880 "	1.000 "	13.373 "	14.366 "	12.433 "	0.875 "
	2.609 "	17	1.250 "	0.880 "	1.000 "	14.199 "	15.207 "	13.259 "	0.875 "
	2.609 "	18	1.250 "	0.880 "	1.000 "	15.025 "	16.046 "	14.085 "	0.875 "
	2.609 "	19	1.250 "	0.880 "	1.000 "	15.851 "	16.885 "	14.911 "	0.875 "
2.609 "	20	1.250 "	0.880 "	1.000 "	16.678 "	17.723 "	15.738 "	0.875 "	
WH82	3.075 "	8	1.250 "	1.060 "	1.375 "	8.035 "	8.674 "	6.915 "	1.250 "
	3.075 "	9	1.250 "	1.060 "	1.375 "	8.991 "	9.698 "	7.871 "	1.250 "
	3.075 "	10	1.250 "	1.060 "	1.375 "	9.951 "	10.714 "	8.831 "	1.250 "
	3.075 "	11	1.250 "	1.060 "	1.375 "	10.915 "	11.722 "	9.795 "	1.250 "
	3.075 "	12	1.250 "	1.060 "	1.375 "	11.881 "	12.726 "	10.761 "	1.250 "
	3.075 "	13	1.250 "	1.060 "	1.375 "	12.849 "	13.726 "	11.729 "	1.250 "
	3.075 "	14	1.250 "	1.060 "	1.375 "	13.819 "	14.722 "	12.699 "	1.250 "
	3.075 "	15	1.250 "	1.060 "	1.375 "	14.790 "	15.717 "	13.670 "	1.250 "
	3.075 "	16	1.250 "	1.060 "	1.375 "	15.762 "	16.709 "	14.642 "	1.250 "
	3.075 "	17	1.250 "	1.060 "	1.375 "	16.735 "	17.700 "	15.615 "	1.250 "
	3.075 "	18	1.250 "	1.060 "	1.375 "	17.708 "	18.689 "	16.588 "	1.250 "
	3.075 "	19	1.250 "	1.060 "	1.375 "	18.682 "	19.677 "	17.562 "	1.250 "
3.075 "	20	1.250 "	1.060 "	1.375 "	19.657 "	20.665 "	18.537 "	1.250 "	

CONTACT US



WH124	4.000 "	8	1.500 "	1.250 "	1.125 "	10.453 "	11.157 "	9.143 "	1.000 "
	4.000 "	9	1.500 "	1.250 "	1.125 "	11.695 "	12.490 "	10.385 "	1.000 "
	4.000 "	10	1.500 "	1.250 "	1.125 "	12.944 "	13.811 "	11.634 "	1.000 "
	4.000 "	11	1.500 "	1.250 "	1.125 "	14.198 "	15.123 "	12.888 "	1.000 "
	4.000 "	12	1.500 "	1.250 "	1.125 "	15.455 "	16.428 "	14.145 "	1.000 "
	4.000 "	13	1.500 "	1.250 "	1.125 "	16.714 "	17.729 "	15.404 "	1.000 "
	4.000 "	14	1.500 "	1.250 "	1.125 "	17.976 "	19.025 "	16.666 "	1.000 "
	4.000 "	15	1.500 "	1.250 "	1.125 "	19.239 "	20.319 "	17.929 "	1.000 "
	4.000 "	16	1.500 "	1.250 "	1.125 "	20.503 "	21.609 "	19.193 "	1.000 "
WH111	4.760 "	8	1.750 "	1.250 "	1.125 "	12.438 "	13.242 "	11.128 "	1.000 "
	4.760 "	9	1.750 "	1.250 "	1.125 "	13.917 "	14.828 "	12.607 "	1.000 "
	4.760 "	10	1.750 "	1.250 "	1.125 "	15.404 "	16.400 "	14.094 "	1.000 "
	4.760 "	11	1.750 "	1.250 "	1.125 "	16.895 "	17.961 "	15.585 "	1.000 "
	4.760 "	12	1.750 "	1.250 "	1.125 "	18.391 "	19.515 "	17.081 "	1.000 "
	4.760 "	13	1.750 "	1.250 "	1.125 "	19.890 "	21.062 "	18.580 "	1.000 "
	4.760 "	14	1.750 "	1.250 "	1.125 "	21.391 "	22.605 "	20.081 "	1.000 "
	4.760 "	15	1.750 "	1.250 "	1.125 "	22.894 "	24.144 "	21.584 "	1.000 "
	4.760 "	16	1.750 "	1.250 "	1.125 "	24.399 "	25.680 "	23.089 "	1.000 "
WH110	6.000 "	8	1.500 "	1.250 "	1.880 "	15.679 "	15.985 "	14.369 "	1.750 "
	6.000 "	9	1.500 "	1.250 "	1.880 "	17.543 "	17.985 "	16.233 "	1.750 "
	6.000 "	10	1.500 "	1.250 "	1.880 "	19.416 "	19.966 "	18.106 "	1.750 "
	6.000 "	11	1.500 "	1.250 "	1.880 "	21.297 "	21.934 "	19.987 "	1.750 "
	6.000 "	12	1.500 "	1.250 "	1.880 "	23.182 "	23.892 "	21.872 "	1.750 "
	6.000 "	13	1.500 "	1.250 "	1.880 "	25.071 "	25.843 "	23.761 "	1.750 "
	6.000 "	14	1.500 "	1.250 "	1.880 "	26.964 "	27.788 "	25.654 "	1.750 "
	6.000 "	15	1.500 "	1.250 "	1.880 "	28.858 "	29.728 "	27.548 "	1.750 "
	6.000 "	16	1.500 "	1.250 "	1.880 "	30.755 "	31.664 "	29.445 "	1.750 "
WH106	6.000 "	8	1.500 "	1.250 "	1.500 "	15.679 "	15.985 "	14.369 "	1.375 "
	6.000 "	9	1.500 "	1.250 "	1.500 "	17.543 "	17.985 "	16.233 "	1.375 "
	6.000 "	10	1.500 "	1.250 "	1.500 "	19.416 "	19.966 "	18.106 "	1.375 "
	6.000 "	11	1.500 "	1.250 "	1.500 "	21.297 "	21.934 "	19.987 "	1.375 "
	6.000 "	12	1.500 "	1.250 "	1.500 "	23.182 "	23.892 "	21.872 "	1.375 "
	6.000 "	13	1.500 "	1.250 "	1.500 "	25.071 "	25.843 "	23.761 "	1.375 "
	6.000 "	14	1.500 "	1.250 "	1.500 "	26.964 "	27.788 "	25.654 "	1.375 "
	6.000 "	15	1.500 "	1.250 "	1.500 "	28.858 "	29.728 "	27.548 "	1.375 "
	6.000 "	16	1.500 "	1.250 "	1.500 "	30.755 "	31.664 "	29.445 "	1.375 "

CONTACT US



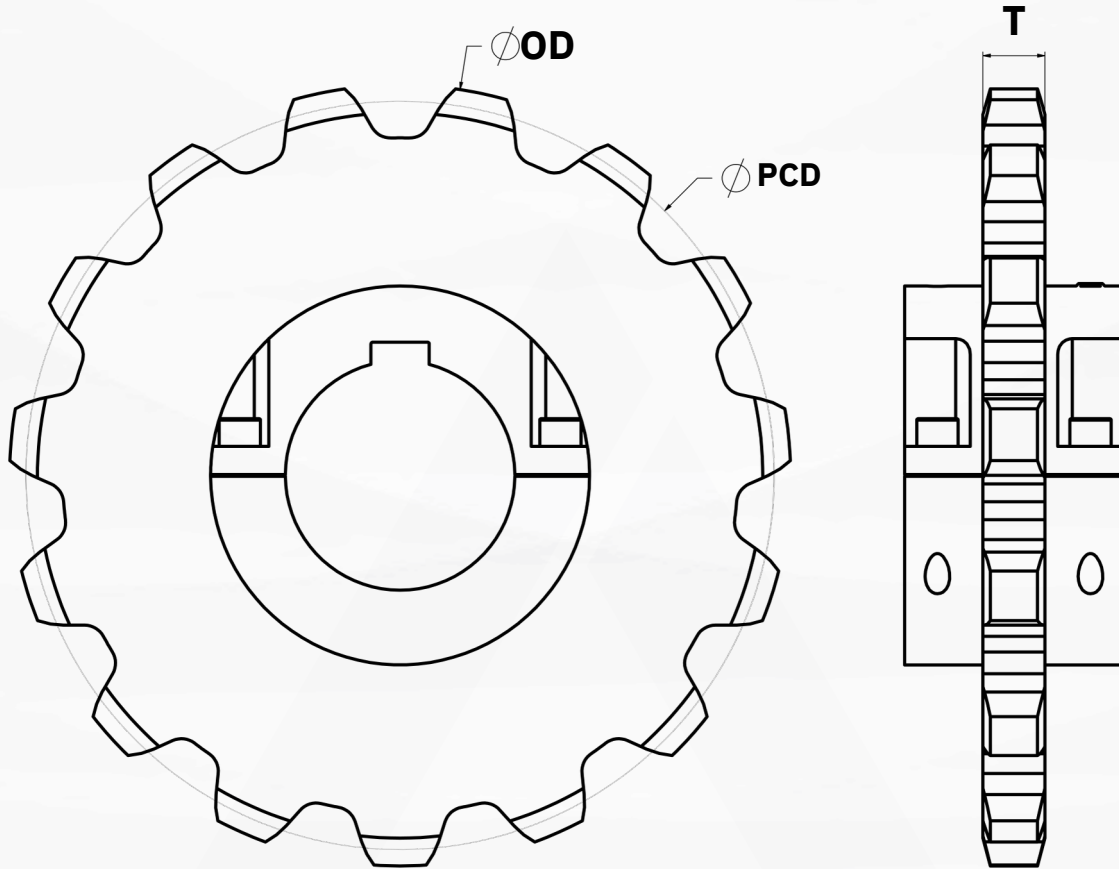


WH132	6.050 "	8	2.000 "	1.620 "	2.750 "	15.809 "	16.606 "	14.129 "	2.625 "
	6.000 "	9	2.000 "	1.620 "	2.750 "	17.543 "	18.485 "	15.863 "	2.625 "
	6.000 "	10	2.000 "	1.620 "	2.750 "	19.416 "	20.466 "	17.736 "	2.625 "
	6.000 "	11	2.000 "	1.620 "	2.750 "	21.297 "	22.434 "	19.617 "	2.625 "
	6.000 "	12	2.000 "	1.620 "	2.750 "	23.182 "	24.392 "	21.502 "	2.625 "
	6.000 "	13	2.000 "	1.620 "	2.750 "	25.071 "	26.343 "	23.391 "	2.625 "
	6.000 "	14	2.000 "	1.620 "	2.750 "	26.964 "	28.288 "	25.284 "	2.625 "
	6.000 "	15	2.000 "	1.620 "	2.750 "	28.858 "	30.228 "	27.178 "	2.625 "
	6.000 "	16	2.000 "	1.620 "	2.750 "	30.755 "	32.164 "	29.075 "	2.625 "
WH150	6.050 "	8	2.500 "	1.620 "	2.750 "	15.809 "	17.106 "	14.129 "	2.625 "
	6.000 "	9	2.500 "	1.620 "	2.750 "	17.543 "	18.985 "	15.863 "	2.625 "
	6.000 "	10	2.500 "	1.620 "	2.750 "	19.416 "	20.966 "	17.736 "	2.625 "
	6.000 "	11	2.500 "	1.620 "	2.750 "	21.297 "	22.934 "	19.617 "	2.625 "
	6.000 "	12	2.500 "	1.620 "	2.750 "	23.182 "	24.892 "	21.502 "	2.625 "
	6.000 "	13	2.500 "	1.620 "	2.750 "	25.071 "	26.843 "	23.391 "	2.625 "
	6.000 "	14	2.500 "	1.620 "	2.750 "	26.964 "	28.788 "	25.284 "	2.625 "
	6.000 "	15	2.500 "	1.620 "	2.750 "	28.858 "	30.728 "	27.178 "	2.625 "
	6.000 "	16	2.500 "	1.620 "	2.750 "	30.755 "	32.664 "	29.075 "	2.625 "

CONTACT US



ROLLER CONVEYOR CHAIN SPROCKETS



NOMENCLATURE

- **P** = Pitch
- **RD** = Roller Diameter
- **H** = Height of Side Bar
- **N** = Number of Teeth
- **G** = Max Sprocket Thickness
- **T** = Desired Sprocket Thickness
- **PCD** = Pitch Circle Diameter
- **BD** = Base Circle Diameter
- **OD** = Outside Diameter

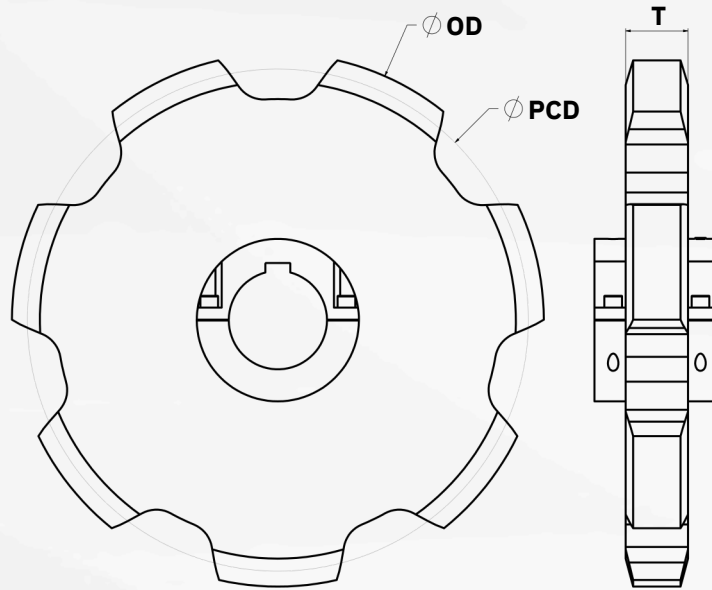
CONTACT US



CHAIN NO	P	N	H	RD	G	PCD	OD	BD	T
378RX	1.654 "	8	1.120 "	0.880 "	1.000 "	4.322 "	5.113 "	3.382 "	0.875 "
	1.654 "	9	1.120 "	0.880 "	1.000 "	4.836 "	5.664 "	3.896 "	0.875 "
	1.654 "	10	1.120 "	0.880 "	1.000 "	5.352 "	6.210 "	4.412 "	0.875 "
	1.654 "	11	1.120 "	0.880 "	1.000 "	5.871 "	6.753 "	4.931 "	0.875 "
	1.654 "	12	1.120 "	0.880 "	1.000 "	6.391 "	7.293 "	5.451 "	0.875 "
	1.654 "	13	1.120 "	0.880 "	1.000 "	6.911 "	7.831 "	5.971 "	0.875 "
	1.654 "	14	1.120 "	0.880 "	1.000 "	7.433 "	8.367 "	6.493 "	0.875 "
	1.654 "	15	1.120 "	0.880 "	1.000 "	7.955 "	8.901 "	7.015 "	0.875 "
	1.654 "	16	1.120 "	0.880 "	1.000 "	8.478 "	9.435 "	7.538 "	0.875 "
81X	2.609 "	8	1.140 "	0.910 "	1.060 "	6.818 "	7.439 "	5.848 "	0.935 "
	2.609 "	9	1.140 "	0.910 "	1.060 "	7.628 "	8.308 "	6.658 "	0.935 "
	2.609 "	10	1.140 "	0.910 "	1.060 "	8.443 "	9.170 "	7.473 "	0.935 "
	2.609 "	11	1.140 "	0.910 "	1.060 "	9.261 "	10.025 "	8.291 "	0.935 "
	2.609 "	12	1.140 "	0.910 "	1.060 "	10.080 "	10.877 "	9.110 "	0.935 "
	2.609 "	13	1.140 "	0.910 "	1.060 "	10.902 "	11.725 "	9.932 "	0.935 "
	2.609 "	14	1.140 "	0.910 "	1.060 "	11.725 "	12.571 "	10.755 "	0.935 "
	2.609 "	15	1.140 "	0.910 "	1.060 "	12.549 "	13.414 "	11.579 "	0.935 "
	2.609 "	16	1.140 "	0.910 "	1.060 "	13.373 "	14.256 "	12.403 "	0.935 "
93R	3.000 "	8	1.250 "	1.500 "	1.250 "	7.839 "	8.493 "	6.279 "	1.125 "
	3.000 "	9	1.250 "	1.500 "	1.250 "	8.771 "	9.492 "	7.211 "	1.125 "
	3.000 "	10	1.250 "	1.500 "	1.250 "	9.708 "	10.483 "	8.148 "	1.125 "
	3.000 "	11	1.250 "	1.500 "	1.250 "	10.648 "	11.467 "	9.088 "	1.125 "
	3.000 "	12	1.250 "	1.500 "	1.250 "	11.591 "	12.446 "	10.031 "	1.125 "
	3.000 "	13	1.250 "	1.500 "	1.250 "	12.536 "	13.421 "	10.976 "	1.125 "
	3.000 "	14	1.250 "	1.500 "	1.250 "	13.482 "	14.394 "	11.922 "	1.125 "
	3.000 "	15	1.250 "	1.500 "	1.250 "	14.429 "	15.364 "	12.869 "	1.125 "
	3.000 "	16	1.250 "	1.500 "	1.250 "	15.377 "	16.332 "	13.817 "	1.125 "
84R	4.000 "	8	1.500 "	2.250 "	2.310 "	10.453 "	11.157 "	8.143 "	2.185 "
	4.000 "	9	1.500 "	2.250 "	2.310 "	11.695 "	12.490 "	9.385 "	2.185 "
	4.000 "	10	1.500 "	2.250 "	2.310 "	12.944 "	13.811 "	10.634 "	2.185 "
	4.000 "	11	1.500 "	2.250 "	2.310 "	14.198 "	15.123 "	11.888 "	2.185 "
	4.000 "	12	1.500 "	2.250 "	2.310 "	15.455 "	16.428 "	13.145 "	2.185 "
	4.000 "	13	1.500 "	2.250 "	2.310 "	16.714 "	17.729 "	14.404 "	2.185 "
	4.000 "	14	1.500 "	2.250 "	2.310 "	17.976 "	19.025 "	15.666 "	2.185 "
	4.000 "	15	1.500 "	2.250 "	2.310 "	19.239 "	20.319 "	16.929 "	2.185 "
	4.000 "	16	1.500 "	2.250 "	2.310 "	20.503 "	21.609 "	18.193 "	2.185 "
111R	4.040 "	8	1.500 "	2.000 "	1.310 "	10.557 "	11.253 "	8.497 "	1.185 "
	4.040 "	9	1.500 "	2.000 "	1.310 "	11.812 "	12.600 "	9.752 "	1.185 "
	4.040 "	10	1.500 "	2.000 "	1.310 "	13.074 "	13.934 "	11.014 "	1.185 "
	4.040 "	11	1.500 "	2.000 "	1.310 "	14.340 "	15.259 "	12.280 "	1.185 "
	4.040 "	12	1.500 "	2.000 "	1.310 "	15.609 "	16.577 "	13.549 "	1.185 "
	4.040 "	13	1.500 "	2.000 "	1.310 "	16.881 "	17.891 "	14.821 "	1.185 "
	4.040 "	14	1.500 "	2.000 "	1.310 "	18.156 "	19.200 "	16.096 "	1.185 "
	4.040 "	15	1.500 "	2.000 "	1.310 "	19.431 "	20.507 "	17.371 "	1.185 "
	4.040 "	16	1.500 "	2.000 "	1.310 "	20.708 "	21.810 "	18.648 "	1.185 "

CONTACT US





7 TEETH 4004 ROLLER CONVEYOR CHAIN SPROCKET






CHAIN NO	P	N	H	RD	G	PCD	OD	BD	T
604R	6.000 "	8	1.500 "	2.000 "	1.310 "	15.679 "	15.985 "	13.619 "	1.185 "
	6.000 "	9	1.500 "	2.000 "	1.310 "	17.543 "	17.985 "	15.483 "	1.185 "
	6.000 "	10	1.500 "	2.000 "	1.310 "	19.416 "	19.966 "	17.356 "	1.185 "
	6.000 "	11	1.500 "	2.000 "	1.310 "	21.297 "	21.934 "	19.237 "	1.185 "
	6.000 "	12	1.500 "	2.000 "	1.310 "	23.182 "	23.892 "	21.122 "	1.185 "
	6.000 "	13	1.500 "	2.000 "	1.310 "	25.071 "	25.843 "	23.011 "	1.185 "
	6.000 "	14	1.500 "	2.000 "	1.310 "	26.964 "	27.788 "	24.904 "	1.185 "
	6.000 "	15	1.500 "	2.000 "	1.310 "	28.858 "	29.728 "	26.798 "	1.185 "
4004	9.000 "	8	2.500 "	3.000 "	2.630 "	23.518 "	24.228 "	20.458 "	2.505 "
	9.000 "	9	2.500 "	3.000 "	2.630 "	26.314 "	27.227 "	23.254 "	2.505 "
	9.000 "	10	2.500 "	3.000 "	2.630 "	29.125 "	30.199 "	26.065 "	2.505 "
	9.000 "	11	2.500 "	3.000 "	2.630 "	31.945 "	33.151 "	28.885 "	2.505 "
	9.000 "	12	2.500 "	3.000 "	2.630 "	34.773 "	36.088 "	31.713 "	2.505 "
	9.000 "	13	2.500 "	3.000 "	2.630 "	37.607 "	39.014 "	34.547 "	2.505 "
	9.000 "	14	2.500 "	3.000 "	2.630 "	40.446 "	41.932 "	37.386 "	2.505 "
	9.000 "	15	2.500 "	3.000 "	2.630 "	43.288 "	44.842 "	40.228 "	2.505 "
4251	12.000 "	8	2.000 "	1.750 "	1.940 "	31.358 "	30.971 "	29.548 "	1.815 "
	12.000 "	9	2.000 "	1.750 "	1.940 "	35.086 "	34.970 "	33.276 "	1.815 "
	12.000 "	10	2.000 "	1.750 "	1.940 "	38.833 "	38.932 "	37.023 "	1.815 "
	12.000 "	11	2.000 "	1.750 "	1.940 "	42.594 "	42.868 "	40.784 "	1.815 "
	12.000 "	12	2.000 "	1.750 "	1.940 "	46.364 "	46.785 "	44.554 "	1.815 "
	12.000 "	13	2.000 "	1.750 "	1.940 "	50.143 "	50.686 "	48.333 "	1.815 "
	12.000 "	14	2.000 "	1.750 "	1.940 "	53.928 "	54.575 "	52.118 "	1.815 "
	12.000 "	15	2.000 "	1.750 "	1.940 "	57.717 "	58.456 "	55.907 "	1.815 "
12.000 "	16	2.000 "	1.750 "	1.940 "	61.510 "	62.328 "	59.700 "	1.815 "	

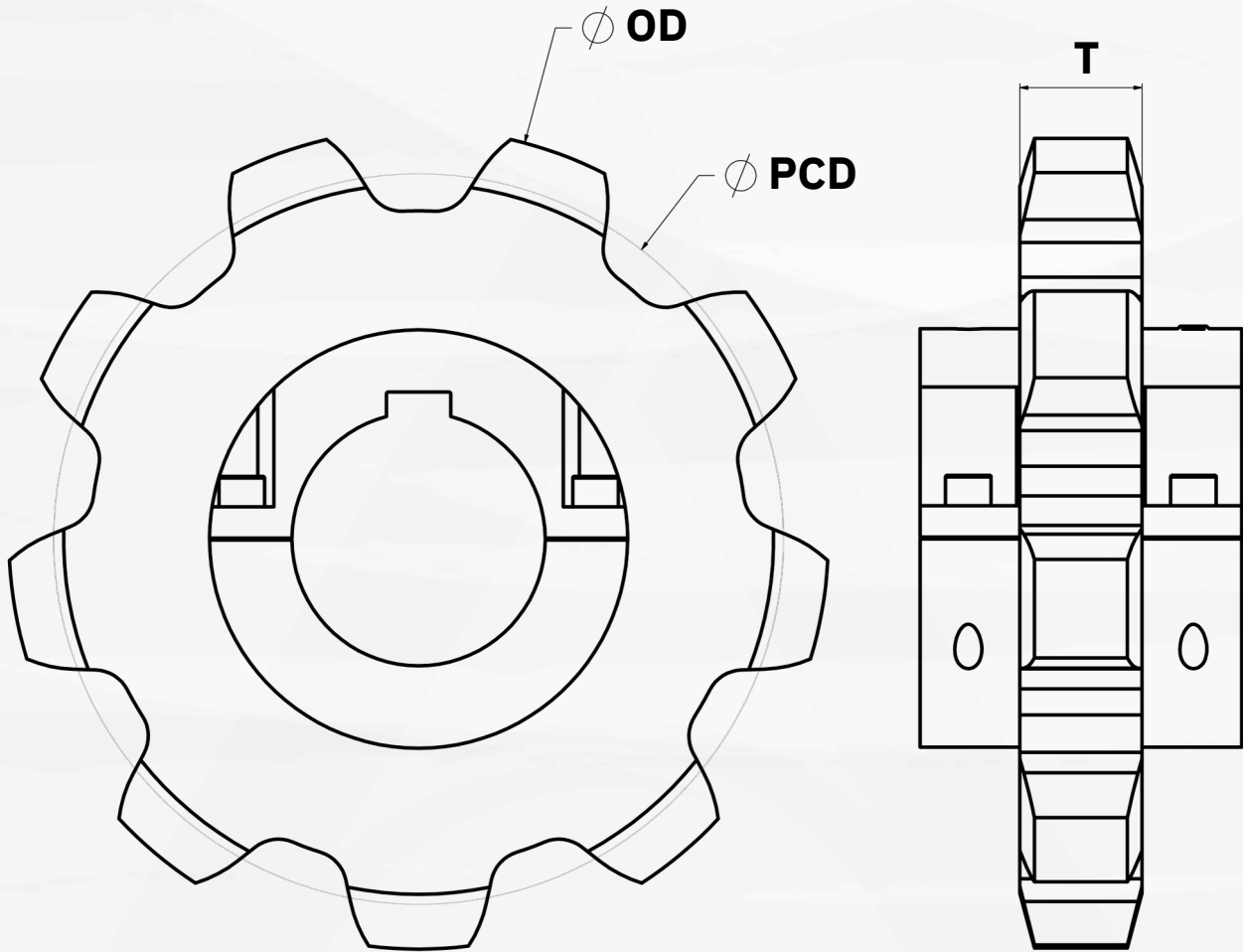
CONTACT US



SCRAPER & ELEVATOR CHAIN SPROCKETS

SCRAPER AND ELEVATOR CHAIN SPROCKETS: APPLICATIONS

-  **Agriculture:** Bulk material handling in silos and processing plants.
-  **Mining:** Efficient transport of minerals and ores.
-  **Construction:** Moving heavy materials and debris.
-  **Waste Management:** Handling waste and recyclables.
-  **Cement and Concrete:** Transporting raw materials and products.



3945 CHAN 9T SPROCKET

CONTACT US

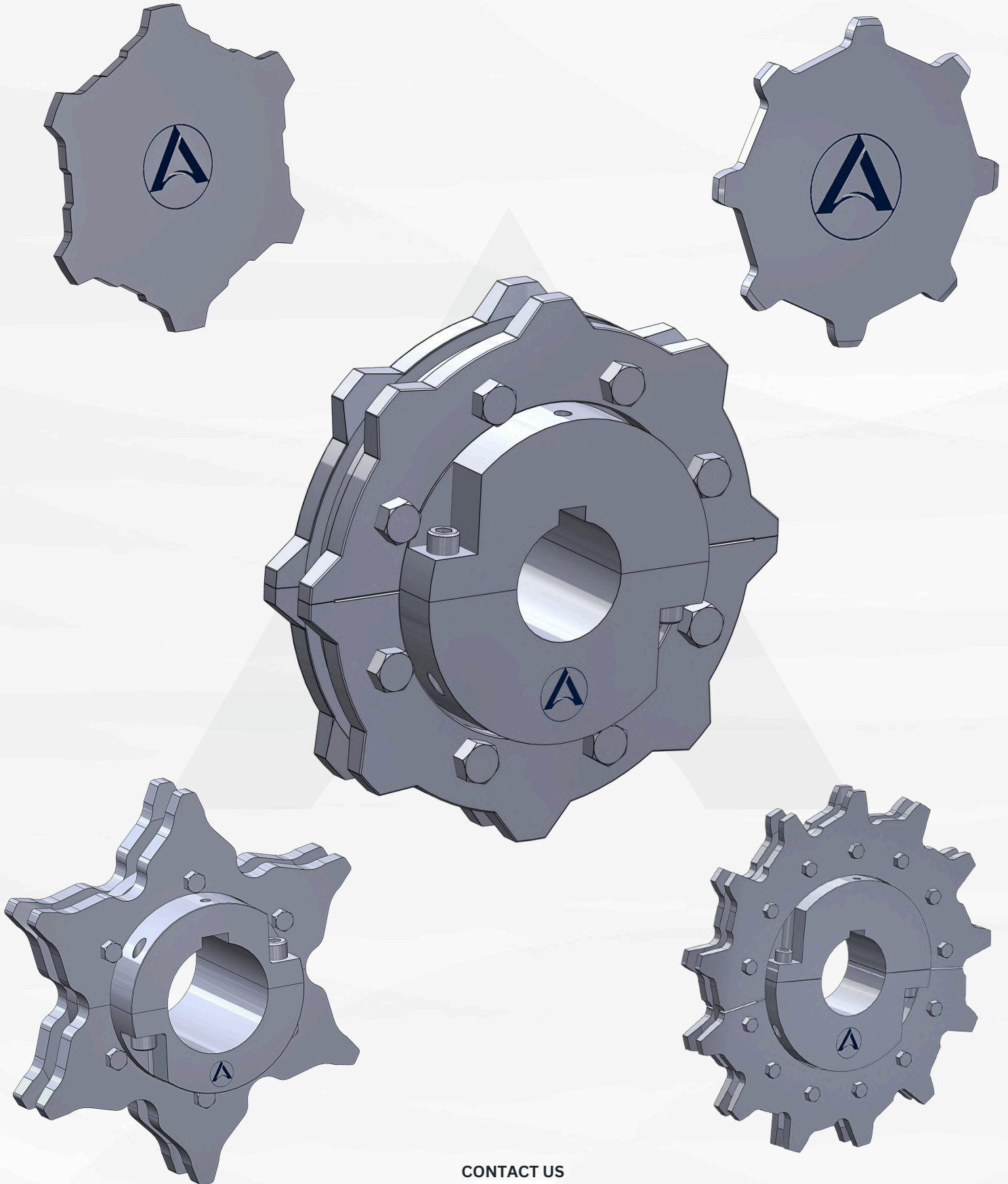


CHAIN NO	P	N	H	RD	G	PCD	OD	BD	T
2111	6.000 "	8	2.000 "	1.880 "	1.560 "	15.679 "	16.485 "	13.739 "	1.435 "
	6.000 "	9	2.000 "	1.880 "	1.560 "	17.543 "	18.485 "	15.603 "	1.435 "
	6.000 "	10	2.000 "	1.880 "	1.560 "	19.416 "	20.466 "	17.476 "	1.435 "
	6.000 "	11	2.000 "	1.880 "	1.560 "	21.297 "	22.434 "	19.357 "	1.435 "
	6.000 "	12	2.000 "	1.880 "	1.560 "	23.182 "	24.392 "	21.242 "	1.435 "
	6.000 "	13	2.000 "	1.880 "	1.560 "	25.071 "	26.343 "	23.131 "	1.435 "
	6.000 "	14	2.000 "	1.880 "	1.560 "	26.964 "	28.288 "	25.024 "	1.435 "
	6.000 "	15	2.000 "	1.880 "	1.560 "	28.858 "	30.228 "	26.918 "	1.435 "
	6.000 "	16	2.000 "	1.880 "	1.560 "	30.755 "	32.164 "	28.815 "	1.435 "
3940	6.000 "	8	2.250 "	1.630 "	2.000 "	15.679 "	16.735 "	13.989 "	1.875 "
	6.000 "	9	2.250 "	1.630 "	2.000 "	17.543 "	18.735 "	15.853 "	1.875 "
	6.000 "	10	2.250 "	1.630 "	2.000 "	19.416 "	20.716 "	17.726 "	1.875 "
	6.000 "	11	2.250 "	1.630 "	2.000 "	21.297 "	22.684 "	19.607 "	1.875 "
	6.000 "	12	2.250 "	1.630 "	2.000 "	23.182 "	24.642 "	21.492 "	1.875 "
	6.000 "	13	2.250 "	1.630 "	2.000 "	25.071 "	26.593 "	23.381 "	1.875 "
	6.000 "	14	2.250 "	1.630 "	2.000 "	26.964 "	28.538 "	25.274 "	1.875 "
	6.000 "	15	2.250 "	1.630 "	2.000 "	28.858 "	30.478 "	27.168 "	1.875 "
	6.000 "	16	2.250 "	1.630 "	2.000 "	30.755 "	32.414 "	29.065 "	1.875 "
9856	6.000 "	8	2.500 "	2.750 "	3.000 "	15.679 "	16.985 "	12.869 "	2.875 "
	6.000 "	9	2.500 "	2.750 "	3.000 "	17.543 "	18.985 "	14.733 "	2.875 "
	6.000 "	10	2.500 "	2.750 "	3.000 "	19.416 "	20.966 "	16.606 "	2.875 "
	6.000 "	11	2.500 "	2.750 "	3.000 "	21.297 "	22.934 "	18.487 "	2.875 "
	6.000 "	12	2.500 "	2.750 "	3.000 "	23.182 "	24.892 "	20.372 "	2.875 "
	6.000 "	13	2.500 "	2.750 "	3.000 "	25.071 "	26.843 "	22.261 "	2.875 "
	6.000 "	14	2.500 "	2.750 "	3.000 "	26.964 "	28.788 "	24.154 "	2.875 "
	6.000 "	15	2.500 "	2.750 "	3.000 "	28.858 "	30.728 "	26.048 "	2.875 "
	6.000 "	16	2.500 "	2.750 "	3.000 "	30.755 "	32.664 "	27.945 "	2.875 "
3945	4.000 "	8	1.500 "	1.250 "	2.000 "	10.453 "	11.157 "	9.143 "	1.875 "
	4.000 "	9	1.500 "	1.250 "	2.000 "	11.695 "	12.490 "	10.385 "	1.875 "
	4.000 "	10	1.500 "	1.250 "	2.000 "	12.944 "	13.811 "	11.634 "	1.875 "
	4.000 "	11	1.500 "	1.250 "	2.000 "	14.198 "	15.123 "	12.888 "	1.875 "
	4.000 "	12	1.500 "	1.250 "	2.000 "	15.455 "	16.428 "	14.145 "	1.875 "
	4.000 "	13	1.500 "	1.250 "	2.000 "	16.714 "	17.729 "	15.404 "	1.875 "
	4.000 "	14	1.500 "	1.250 "	2.000 "	17.976 "	19.025 "	16.666 "	1.875 "
	4.000 "	15	1.500 "	1.250 "	2.000 "	19.239 "	20.319 "	17.929 "	1.875 "
	4.000 "	16	1.500 "	1.250 "	2.000 "	20.503 "	21.609 "	19.193 "	1.875 "
4004	9.000 "	8	2.500 "	3.000 "	2.630 "	23.518 "	24.228 "	20.458 "	2.505 "
	9.000 "	9	2.500 "	3.000 "	2.630 "	26.314 "	27.227 "	23.254 "	2.505 "
	9.000 "	10	2.500 "	3.000 "	2.630 "	29.125 "	30.199 "	26.065 "	2.505 "
	9.000 "	11	2.500 "	3.000 "	2.630 "	31.945 "	33.151 "	28.885 "	2.505 "
	9.000 "	12	2.500 "	3.000 "	2.630 "	34.773 "	36.088 "	31.713 "	2.505 "
	9.000 "	13	2.500 "	3.000 "	2.630 "	37.607 "	39.014 "	34.547 "	2.505 "
	9.000 "	14	2.500 "	3.000 "	2.630 "	40.446 "	41.932 "	37.386 "	2.505 "
	9.000 "	15	2.500 "	3.000 "	2.630 "	43.288 "	44.842 "	40.228 "	2.505 "
	9.000 "	16	2.500 "	3.000 "	2.630 "	46.132 "	47.746 "	43.072 "	2.505 "
4251	12.000 "	8	2.000 "	1.750 "	1.940 "	31.358 "	30.971 "	29.548 "	1.815 "
	12.000 "	9	2.000 "	1.750 "	1.940 "	35.086 "	34.970 "	33.276 "	1.815 "
	12.000 "	10	2.000 "	1.750 "	1.940 "	38.833 "	38.932 "	37.023 "	1.815 "
	12.000 "	11	2.000 "	1.750 "	1.940 "	42.594 "	42.868 "	40.784 "	1.815 "
	12.000 "	12	2.000 "	1.750 "	1.940 "	46.364 "	46.785 "	44.554 "	1.815 "
	12.000 "	13	2.000 "	1.750 "	1.940 "	50.143 "	50.686 "	48.333 "	1.815 "
	12.000 "	14	2.000 "	1.750 "	1.940 "	53.928 "	54.575 "	52.118 "	1.815 "
	12.000 "	15	2.000 "	1.750 "	1.940 "	57.717 "	58.456 "	55.907 "	1.815 "
	12.000 "	16	2.000 "	1.750 "	1.940 "	61.510 "	62.328 "	59.700 "	1.815 "

CONTACT US



DROP FORGED RIVETLESS CHAIN SPROCKETS



CONTACT US



DROP FORGED RIVETLESS CHAIN SPROCKETS

Drop-Forged Rivetless Chain Sprockets Applications:

- **Mining:** Handles heavy ore and material loads.
- **Steel Production:** Supports high-speed conveyors in demanding environments.
- **Automotive:** Efficient in high-torque applications and heavy-duty material handling.

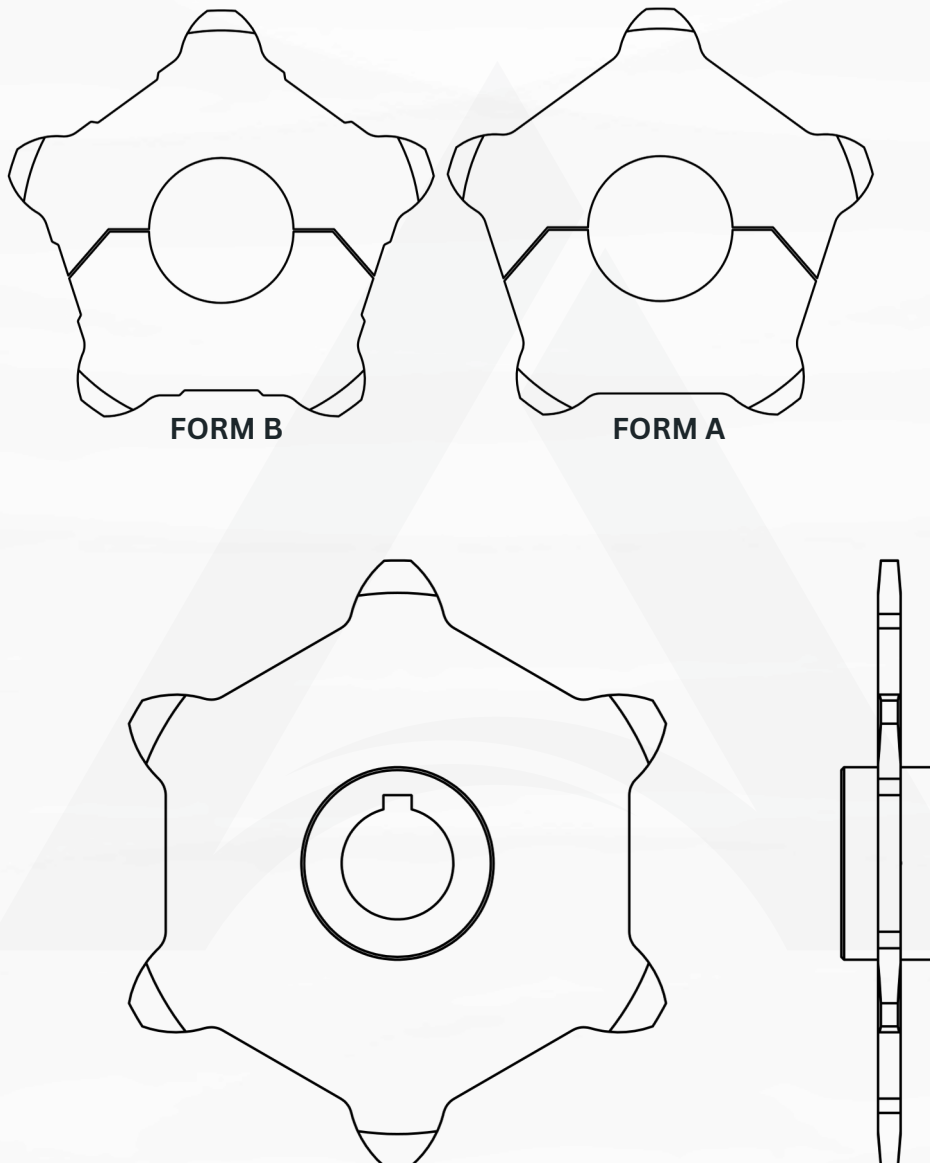
Forged Link Chain Sprockets Applications:

- **Mining:** Durable for abrasive material handling and tough conditions.
- **Cement:** Robust for heavy-duty conveyor systems in cement production.
- **Waste Management:** Reliable in handling large, heavy waste materials.

We offer sprockets for drop-forged Rivetless chains in two tooth forms:

- **Form A:** Curved tooth face for smooth and efficient engagement.
- **Form B:** Straight tooth face for durability and precision.

Our drop-forged Rivetless chains provide seamless, robust performance, making them ideal for demanding applications. Choose the sprocket form that best suits your needs for optimal operation and longevity



CONTACT US



FORGED LINK CHAIN SPROCKETS

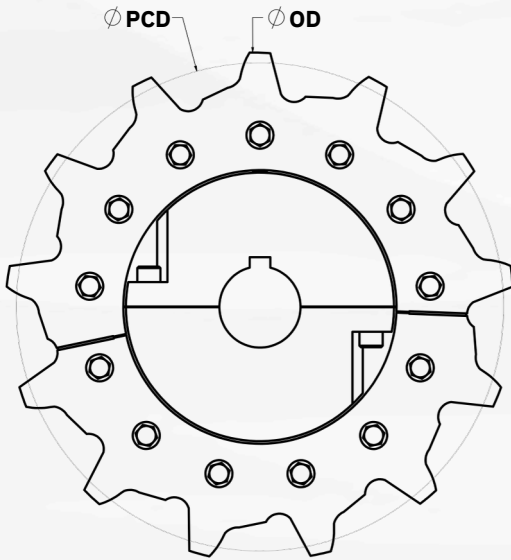
Forged Link Chain Sprockets Applications:

- **Mining:** Durable for abrasive material handling and tough conditions.
- **Cement:** Robust for heavy-duty conveyor systems in cement production.
- **Waste Management:** Reliable in handling large, heavy waste materials.

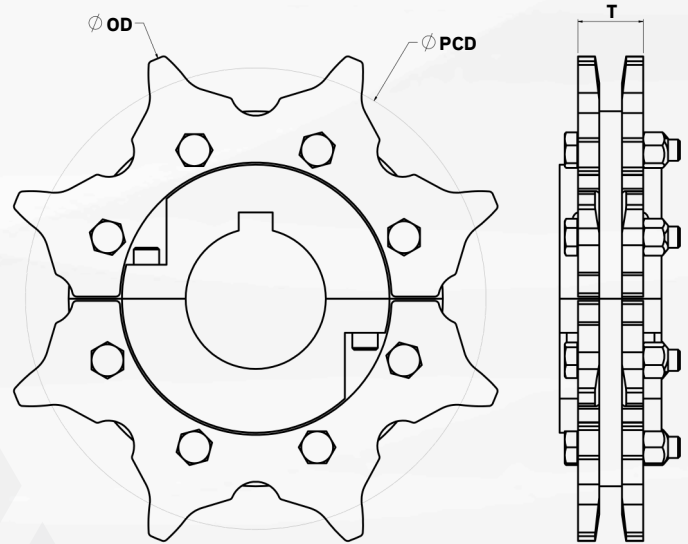
We offer sprockets and Traction rim for drop-forged chains in various forms:

- **Symmetrical Sprockets:** Balanced tooth profile for smooth operation.
- **Asymmetrical Sprockets:** Custom designs for specific applications.
- **Star Idler Sprockets:** Specialized tooth patterns for unique needs.

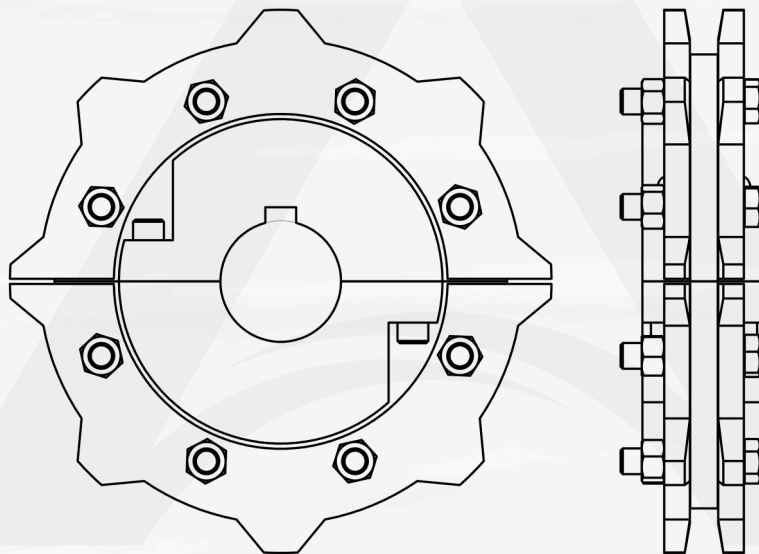
Our drop-forged chains sprockets provide seamless, robust performance, making them ideal for demanding applications. Choose the sprocket form that best suits your needs for optimal operation and longevity



ASYMMETRICAL



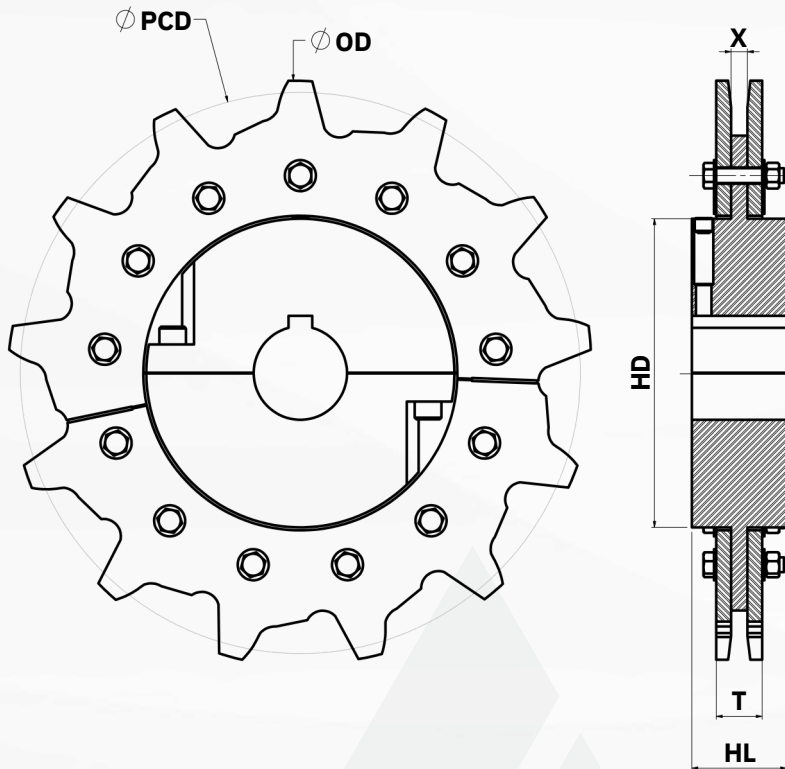
REVERIBLE SYMMETRICAL



"STAR" TRAILER IDLLER WHEEL

CONTACT US





CHAIN NO	N	PCD	OD	HD (MAX)	T	X	HL
101 STD	6	8.000 "	8.504 "	4.000 "	1.339 "	0.394 "	4.000 "
101 STD	8	10.452 "	10.906 "	5.000 "	1.339 "	0.394 "	4.000 "
101 STD	10	12.944 "	13.386 "	7.000 "	1.339 "	0.394 "	5.000 "
101 STD	12	15.455 "	15.906 "	8.000 "	1.339 "	0.394 "	5.000 "
101 STD	14	17.976 "	18.425 "	8.000 "	1.339 "	0.394 "	6.000 "
101 STD	6	8.000 "	8.504 "	4.000 "	1.417 "	0.472 "	4.000 "
101 STD	8	10.452 "	10.906 "	5.000 "	1.417 "	0.472 "	4.000 "
101 STD	10	12.944 "	13.386 "	7.000 "	1.417 "	0.472 "	5.000 "
101 STD	12	15.455 "	15.906 "	8.000 "	1.417 "	0.472 "	5.000 "
101 STD	14	17.976 "	18.425 "	8.000 "	1.417 "	0.472 "	6.000 "
142 STD	6	11.181 "	11.969 "	5.000 "	1.772 "	0.591 "	4.000 "
142 STD	7	12.886 "	13.543 "	6.000 "	1.772 "	0.591 "	4.000 "
142 STD	8	14.609 "	15.354 "	8.000 "	1.772 "	0.591 "	5.000 "
142 STD	9	16.346 "	17.126 "	9.000 "	1.772 "	0.591 "	6.000 "
142 STD	10	18.091 "	18.898 "	9.000 "	1.772 "	0.591 "	6.000 "
142 STD	11	19.843 "	20.630 "	12.000 "	1.772 "	0.591 "	10.000 "
142 STD	12	21.600 "	22.441 "	12.000 "	1.772 "	0.591 "	10.000 "
142 STD	13	23.361 "	24.173 "	14.000 "	1.772 "	0.591 "	12.000 "
142 STD	14	25.124 "	25.984 "	14.000 "	1.772 "	0.591 "	12.000 "
142 STD	15	26.885 "	27.638 "	14.000 "	1.772 "	0.591 "	12.000 "
142 STD	16	28.657 "	29.449 "	2.000 "	1.772 "	0.591 "	12.000 "

CONTACT US



CHAIN NO	N	PCD	OD	HD (MAX)	T	X	HL
142HVY	6	11.181 "	11.969 "	5.000 "	2.362 "	0.787 "	5.000 "
142HVY	7	12.886 "	13.543 "	6.000 "	2.362 "	0.787 "	5.000 "
142HVY	8	14.609 "	15.354 "	8.000 "	2.362 "	0.787 "	5.000 "
142HVY	9	16.346 "	17.126 "	9.000 "	2.362 "	0.787 "	6.000 "
142HVY	10	18.091 "	18.898 "	9.000 "	2.362 "	0.787 "	6.000 "
142HVY	11	19.843 "	20.630 "	12.000 "	2.362 "	0.787 "	10.000 "
142HVY	12	21.600 "	22.441 "	12.000 "	2.362 "	0.787 "	10.000 "
142HVY	13	23.361 "	24.173 "	14.000 "	2.362 "	0.787 "	12.000 "
142HVY	14	25.124 "	25.984 "	14.000 "	2.362 "	0.787 "	12.000 "
142HVY	15	26.885 "	27.638 "	14.000 "	2.362 "	0.787 "	12.000 "
142HVY	16	31.413 "	29.449 "	10.000 "	2.362 "	0.787 "	12.000 "
216 STD	6	17.039 "	18.071 "	7.000 "	2.559 "	0.984 "	5.000 "
216 STD	7	19.636 "	20.669 "	7.000 "	2.559 "	0.984 "	5.000 "
216 STD	8	22.263 "	23.307 "	12.000 "	2.559 "	0.984 "	10.000 "
216 STD	9	24.910 "	25.945 "	14.000 "	2.559 "	0.984 "	12.000 "
216 STD	10	27.570 "	28.583 "	14.000 "	2.559 "	0.984 "	12.000 "
160 STD	6	12.598 "	13.465 "	6.000 "	2.559 "	0.984 "	5.000 "
160 STD	8	16.461 "	17.323 "	7.000 "	2.559 "	0.984 "	5.000 "
160 STD	10	20.385 "	21.260 "	12.000 "	2.559 "	0.984 "	10.000 "
200 STD	8	20.567 "	21.496 "	12.000 "	2.559 "	0.984 "	10.000 "
200 STD	10	25.488 "	26.457 "	14.000 "	2.559 "	0.984 "	12.000 "
200 STD	12	30.425 "	31.378 "	14.000 "	2.559 "	0.984 "	12.000 "
260 STD	8	26.748 "	27.913 "	14.000 "	3.228 "	1.260 "	12.000 "
260 STD	10	33.125 "	34.252 "	16.000 "	3.228 "	1.220 "	14.000 "
260 STD	12	39.550 "	40.748 "	20.000 "	3.228 "	1.260 "	16.000 "

CONTACT US



MINING CHAIN SPROCKETS

Mining Sprockets for Long-Link Chains

Our mining sprockets for long-link chains are designed to withstand the toughest conditions and provide dependable performance. Perfect for handling abrasive materials and harsh environments, these sprockets are essential for effective mining operations.

We offer various types of sprockets for long-link chains:

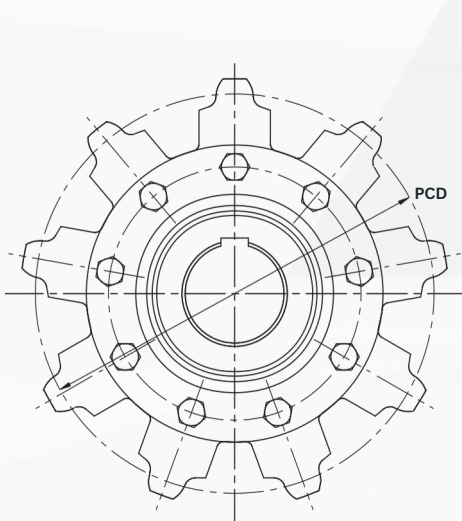
Sprockets with Replaceable Rims: Allow for easy replacement of worn rims, extending the lifespan of the sprocket and reducing maintenance costs.

Replaceable Teeth Sprockets: Feature teeth that can be replaced individually, ensuring continued efficiency and minimizing downtime.

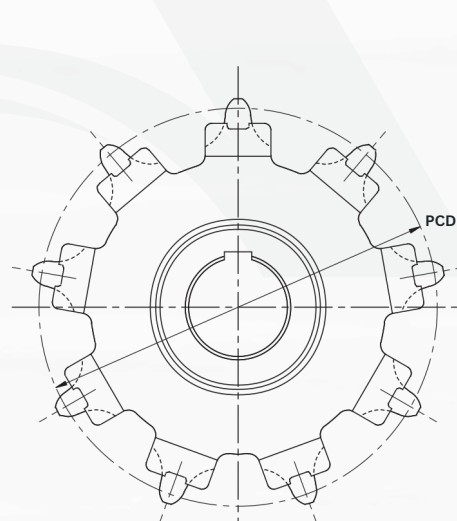
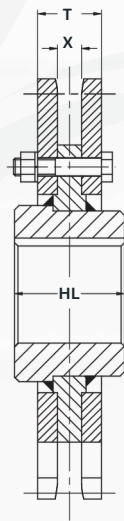
Welded Teeth Sprockets: Available with or without welded chain support, these sprockets offer enhanced durability and strength for demanding applications.

Our long-link chain sprockets are designed for robustness and seamless operation, making them the ideal choice for challenging mining environments. Choose the sprocket type that best fits your needs to achieve optimal performance and longevity.

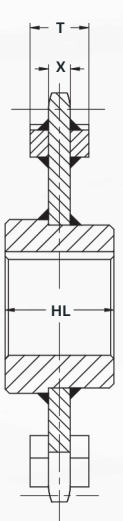
CHAIN NO	PCD	N	X	T	HL
14X50	10.079 "	8	0.591 "	1.772 "	4.000 "
14X50	11.339 "	9	0.591 "	1.772 "	4.000 "
14X50	12.598 "	10	0.591 "	1.772 "	4.000 "
16X64	9.724 "	6	0.709 "	2.126 "	4.000 "
16X64	12.913 "	8	0.709 "	2.126 "	4.000 "
16X64	14.528 "	9	0.709 "	2.126 "	4.000 "
16X64	16.102 "	10	0.709 "	2.126 "	4.000 "
22X86	13.071 "	6	0.984 "	2.795 "	5.500 "
22X86	15.197 "	7	0.984 "	2.795 "	5.500 "
22X86	17.362 "	8	0.984 "	2.795 "	5.500 "
22X86	21.654 "	10	0.984 "	2.795 "	5.500 "



REPLACEABLE RIM SPROCKET

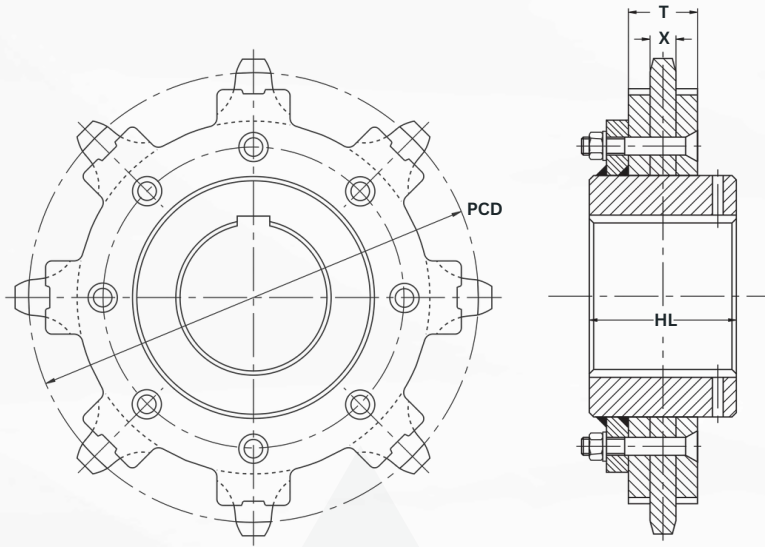


PROJECTED TEETH SPROCKET WITH WELDED CHAIN SUPPORT

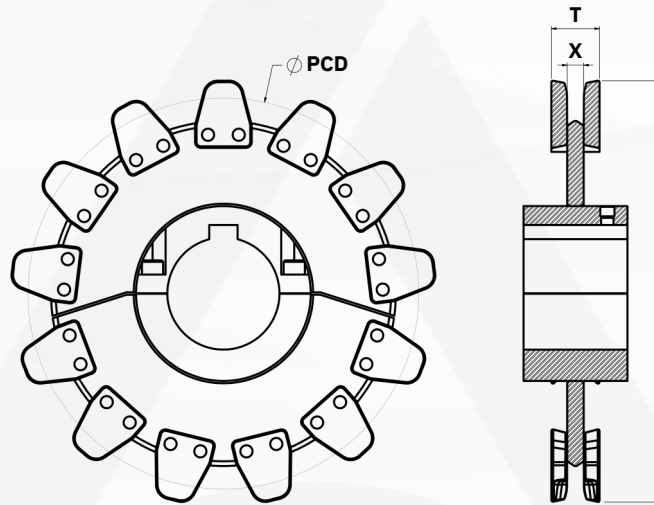


CONTACT US

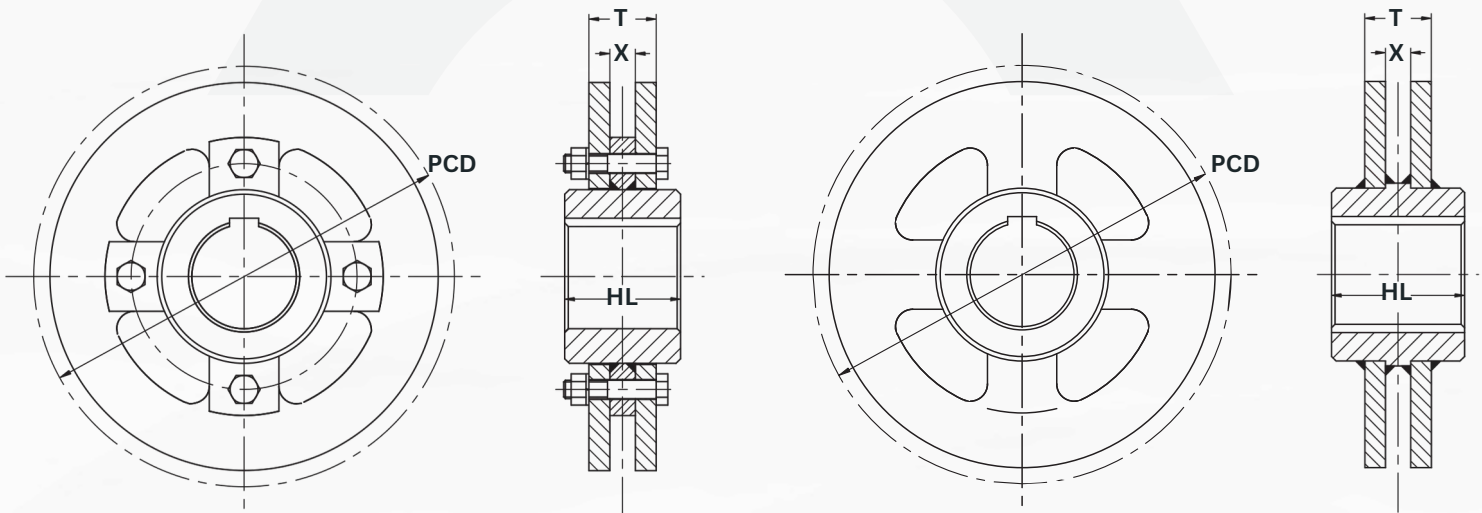




REPLACEABLE RIM & TEETH SPROCKET



REPLACEABLE TEETH SPROCKET



LONG LINK IDLERS

CONTACT US



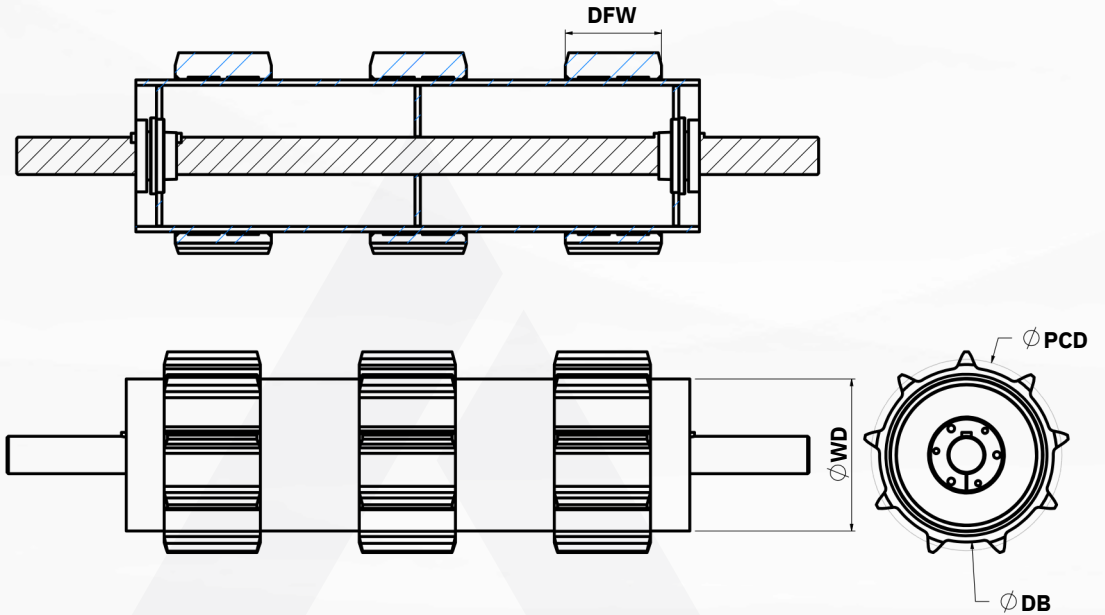
DRUM SPROCKETS

Agamus AI and Automation Drum sprockets offer high performance and durability. Our drum sprockets come with precise CNC machining, tough forged steel teeth, and customizable options to fit your needs. We ensure fast delivery and reliable sprockets to keep your operations running smoothly.

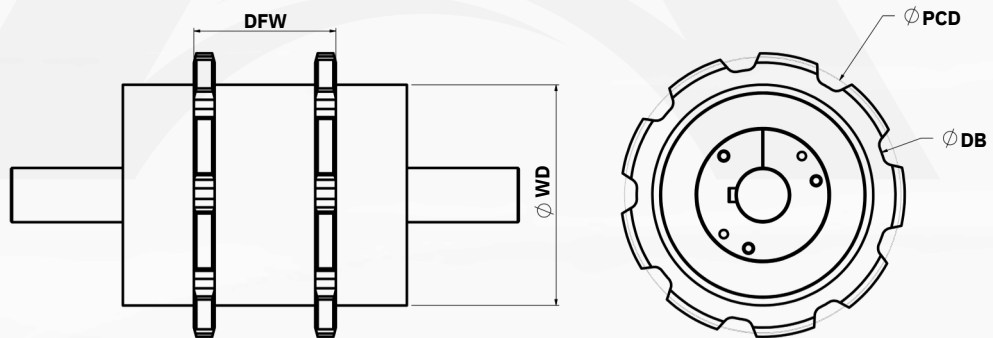
Types of Drum Sprockets We Offer:

Full-Face Drum Sprocket: Designed with a larger surface area to reduce contact pressure and enhance wear resistance, making it suitable for a wide range of applications.

A-Plate Drum Sprocket: Accommodates more misalignment and enables smooth passage of bulk materials, providing added versatility and strength.



FULL FACE TYPE



A-PLATE TYPE

CONTACT US



CHAIN NO	N	PCD	DB	D.F.W	WD	H.B	B.B	ST BUSHIN G	ST BORE	QD BUSHIN G	QD BORE	TB SIZE	TB BORE
						MAX	MAX	MAX.	MAX.	MAX.	MAX.	MAX.	MAX.
WD-102	5	8.507 "	6.947 "	6.25 "	4.500 "	3.250 "	2.750 "	R	3.625 "	SF	2.313 "	3030	3.000 "
	6	10.000 "	8.440 "	6.25 "	6.625 "	5.375 "	4.875 "	S	4.188 "	F	3.938 "	3535	3.500 "
	7	11.524 "	9.964 "	6.25 "	8.625 "	6.438 "	5.938 "	U	5.000 "	J	4.500 "	4545	4.500 "
	8	13.066 "	11.506 "	6.25 "	8.625 "	6.438 "	5.938 "	U	5.000 "	N	6.000 "	5050	5.000 "
	9	14.619 "	13.059 "	6.25 "	10.750 "	6.438 "	5.938 "	U	5.000 "	N	6.000 "	5050	5.000 "
	10	16.180 "	14.620 "	6.25 "	12.750 "	6.438 "	5.938 "	W	7.438 "	P	7.000 "	6050	6.000 "
	11	17.747 "	16.187 "	6.25 "	14.000 "	6.438 "	5.938 "	W	7.438 "	P	7.000 "	7060	7.000 "
	12	19.319 "	17.759 "	6.25 "	16.000 "	6.438 "	5.938 "	W	7.438 "	W	8.500 "	8065	8.000 "
	13	20.893 "	19.333 "	6.25 "	18.000 "	6.438 "	5.938 "	W	7.438 "	W	8.500 "	8065	8.000 "
	14	22.470 "	20.910 "	6.25 "	20.000 "	6.438 "	5.938 "	W	7.438 "	S	10.000 "	10085	10.000 "
	15	24.049 "	22.489 "	6.25 "	20.000 "	6.438 "	5.938 "	W	7.438 "	S	10.000 "	10085	10.000 "
WD-120	5	10.208 "	8.148 "	8.750 "	5.563 "	3.250 "	2.750 "	S	4.188 "	F	3.938 "	3535	3.500 "
	6	12.000 "	9.940 "	8.750 "	6.625 "	6.438 "	5.938 "	U	5.000 "	J	4.500 "	4545	4.500 "
	7	13.829 "	11.769 "	8.750 "	8.625 "	6.438 "	5.938 "	U	5.000 "	N	6.000 "	5050	5.000 "
	8	15.679 "	13.619 "	8.750 "	10.750 "	6.438 "	5.938 "	W	7.438 "	N	6.000 "	5050	5.000 "
	9	17.543 "	15.483 "	8.750 "	14.000 "	6.438 "	5.938 "	W	7.438 "	P	7.000 "	6050	6.000 "
	10	19.416 "	17.356 "	8.750 "	16.000 "	6.438 "	5.938 "	W	7.438 "	W	8.500 "	8065	8.000 "
	11	21.297 "	19.237 "	8.750 "	18.000 "	6.438 "	5.938 "	W	7.438 "	W	8.500 "	8065	8.000 "
	12	23.182 "	21.122 "	8.750 "	20.000 "	6.438 "	5.938 "	W	7.438 "	S	10.000 "	10085	10.000 "
	13	25.071 "	23.011 "	8.750 "	22.000 "	6.438 "	5.938 "	W	7.438 "	S	10.000 "	10085	10.000 "
	14	26.964 "	24.904 "	8.750 "	24.000 "	6.438 "	5.938 "	W	7.438 "	S	10.000 "	120100	12.000 "
	15	28.858 "	26.798 "	8.750 "	24.000 "	6.438 "	5.938 "	W	7.438 "	S	10.000 "	120100	12.000 "

CONTACT US





CHAIN NO	N	PCD	DB	D.F.W	WD	H.B	B.B	ST BUSHING	ST BORE	QD BUSHING	QD BORE	TB SIZE	TB BORE
						MAX	MAX	MAX.	MAX.	MAX .	MAX .	MAX .	MAX .
WD-106	5	10.208 "	8.648 "	8.875 "	6.625 "	5.375 "	4.875 "	S	4.188 "	J	4.500 "	4040	4.000 "
	6	12.000 "	10.440 "	8.875 "	8.625 "	6.438 "	5.938 "	U	5.000 "	M	5.500 "	5050	5.000 "
	7	13.829 "	12.269 "	8.875 "	10.750 "	6.438 "	5.938 "	U	5.000 "	N	6.000 "	5050	5.000 "
	8	15.679 "	14.119 "	8.875 "	12.750 "	6.438 "	5.938 "	W	7.438 "	P	7.000 "	5050	5.000 "
	9	17.543 "	15.983 "	8.875 "	14.000 "	6.438 "	5.938 "	W	7.438 "	P	7.000 "	7060	7.000 "
	10	19.416 "	17.856 "	8.875 "	16.000 "	6.438 "	5.938 "	W	7.438 "	W	8.500 "	8065	8.000 "
	11	21.297 "	19.737 "	8.875 "	18.000 "	6.438 "	5.938 "	W	7.438 "	W	8.500 "	8065	8.000 "
	12	23.182 "	21.622 "	8.875 "	20.000 "	6.438 "	5.938 "	W	7.438 "	S	10.000 "	10085	10.000 "
	13	25.071 "	23.511 "	8.875 "	22.000 "	6.438 "	5.938 "	W	7.438 "	S	10.000 "	10085	10.000 "
	14	26.964 "	25.404 "	8.875 "	24.000 "	6.438 "	5.938 "	W	7.438 "	S	10.000 "	120100	12.000 "
15	28.858 "	27.298 "	8.875 "	24.000 "	6.438 "	5.938 "	W	7.438 "	S	10.000 "	120100	12.000 "	
WD-480	5	13.610 "	11.550 "	11.125 "	8.625 "	6.438 "	5.938 "	U	5.000 "	N	6.000 "	5050	5.000 "
	6	16.000 "	13.940 "	11.125 "	10.750 "	6.438 "	5.938 "	W	7.438 "	P	7.000 "	5050	5.000 "
	7	18.438 "	16.378 "	11.125 "	14.000 "	6.438 "	5.938 "	W	7.438 "	W	8.500 "	8065	8.000 "
	8	20.905 "	18.845 "	11.125 "	16.000 "	6.438 "	5.938 "	W	7.438 "	W	8.500 "	8065	8.000 "
	9	23.390 "	21.330 "	11.125 "	18.000 "	6.438 "	5.938 "	W	7.438 "	S	10.000 "	10085	10.000 "
	10	25.889 "	23.829 "	11.125 "	22.000 "	6.438 "	5.938 "	W	7.438 "	S	10.000 "	120100	12.000 "
	11	28.396 "	26.336 "	11.125 "	24.000 "	6.438 "	5.938 "	W	7.438 "	S	10.000 "	120100	12.000 "
	12	30.910 "	28.850 "	11.125 "	24.000 "	6.438 "	5.938 "	W	7.438 "	S	10.000 "	120100	12.000 "
	13	33.429 "	31.369 "	11.125 "	30.000 "	6.438 "	5.938 "	W	7.438 "	S	10.000 "	120100	12.000 "
	14	35.952 "	33.892 "	11.125 "	32.000 "	6.438 "	5.938 "	W	7.438 "	S	10.000 "	120100	12.000 "
15	38.478 "	36.418 "	8.875 "	34.000 "	6.438 "	5.938 "	W	7.438 "	S	10.000 "	120100	12.000 "	

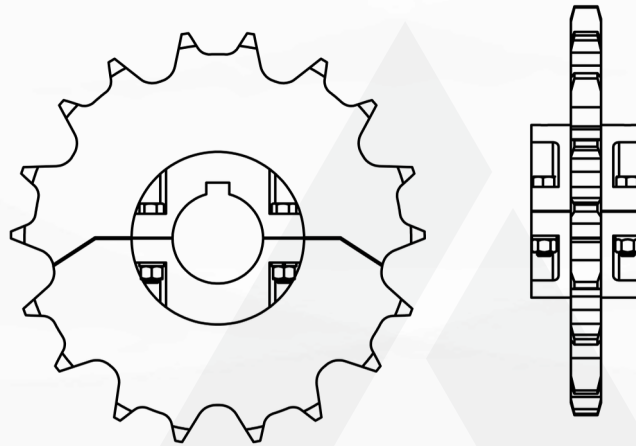
CONTACT US



SPECIAL CATEGORY SPROCKETS

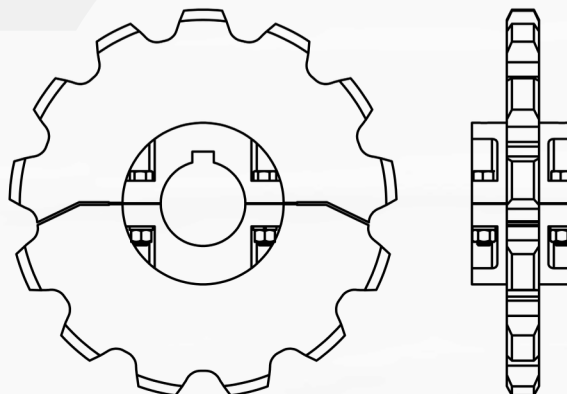
Gap Tooth Sprockets

Our Gap Tooth Sprockets are perfect for chains with rods or rollers positioned at mid-pitch. Ideal for conveyors or drives that reverse direction and where a bit of play is needed, these sprockets come with the necessary pitch line clearance for smooth operation.



Half-Pitch Sprocket:

Featuring an odd number of teeth with each tooth spaced at half the chain pitch, this sprocket causes the chain to move forward by half a pitch with each turn. This alternation of contact points extends the lifespan of the sprocket by effectively doubling it.

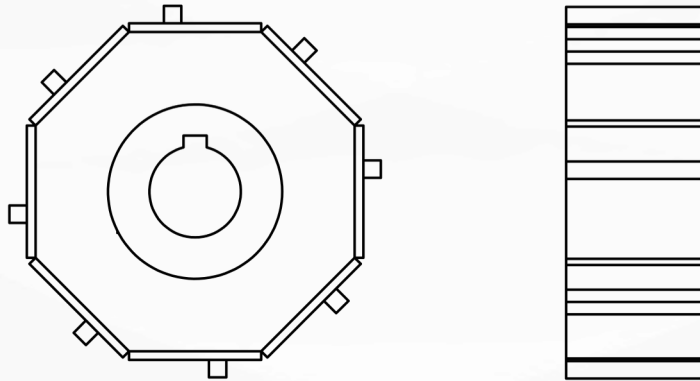


CONTACT US



Clinker Drag Chain Sprockets

Our Clinker Drag Chain Sprockets are built to handle the most abrasive and high-temperature conveying environments. They feature a reduced bottom diameter on the head sprocket to provide clearance for barrel attachments. Additionally, tail sprockets are equipped with octagonal wheels to ensure durability and performance.



**SCAN TO GET
YOUR QUOTE**



AGAMUS AI & AUTOMATION
404 - 1688,152 Street Surrey,
V4A 4NB, BC
Canada